

**MALLEABLE FITTINGS
GALVANIZED & BLACK**

90°



	GALV. 150#	BLACK 150#	BLACK 300#
1/8"	#G91	#B91	—
1/4"	#G92	#B92	#B932
3/8"	#G93	#B93	#B933
1/2"	#G95	#B95	#B935
3/4"	#G97	#B97	#B937
1"	#G910	#B910	#B9310
1-1/4"	#G912	#B912	#B9312
1-1/2"	#G915	#B915	#B9315
2"	#G920	#B920	#B9320
2-1/2"	#G925	#B925	#B9325
3"	#G930	#B930	#B9330
4"	#G940	#B940	*
6"	#G960	#B960	—
8"	*	*	—

**MALLEABLE FITTINGS
GALVANIZED & BLACK**

REDUCING
90°



	GALV. 150#	BLACK 150#
1/2" x 1/4"	#G952	#B952
1/2" x 3/8"	#G953	#B953
3/4" x 1/2"	#G975	#B975
1" x 1/2"	#G9105	#B9105
1" x 3/4"	#G9107	#B9107
1-1/4" x 3/4"	#G9127	#B9127
1-1/4" x 1"	#G91210	#B91210
1-1/2" x 3/4"	#G9157	#B9157
1-1/2" x 1"	#G91510	#B91510
1-1/2" x 1-1/4"	#G91512	#B91512
2" x 3/4"	#G9207	#B9207
2" x 1"	#G92010	#B92010
2" x 1-1/4"	#G92012	#B92012
2" x 1-1/2"	#G92015	#B92015

LARGER SIZES AVAILABLE

STREET
90°



	GALV. 150#	BLACK 150#	BLACK 300#
1/8"	#GS91	#BS91	—
1/4"	#GS92	#BS92	#BS932
3/8"	#GS93	#BS93	#BS933
1/2"	#GS95	#BS95	#BS935
3/4"	#GS97	#BS97	#BS937
1"	#GS910	#BS910	#BS9310
1-1/4"	#GS912	#BS912	#BS9312
1-1/2"	#GS915	#BS915	#BS9315
2"	#GS920	#BS920	#BS9320
2-1/2"	#GS925	#BS925	*
3"	#GS930	#BS930	*
4"	#GS940	#BS940	—
6"	*	*	—

* AVAILABLE

UNION



	GALV. 150#	BLACK 150#	BLACK 300#
1/8"	#GU1	#BU1	#BU31
1/4"	#GU2	#BU2	#BU32
3/8"	#GU3	#BU3	#BU33
1/2"	#GU5	#BU5	#BU35
3/4"	#GU7	#BU7	#BU37
1"	#GU10	#BU10	#BU310
1-1/4"	#GU12	#BU12	#BU312
1-1/2"	#GU15	#BU15	#BU315
2"	#GU20	#BU20	#BU320
2-1/2"	#GU25	#BU25	#BU325
3"	#GU30	#BU30	#BU330
4"	#GU40	#BU40	*

**MALLEABLE FITTINGS
GALVANIZED & BLACK**

45°



	GALV. 150#	BLACK 150#	BLACK 300#
1/8"	#G41	#B41	—
1/4"	#G42	#B42	#B432
3/8"	#G43	#B43	#B433
1/2"	#G45	#B45	#B435
3/4"	#G47	#B47	#B437
1"	#G410	#B410	#B4310
1-1/4"	#G412	#B412	#B4312
1-1/2"	#G415	#B415	#B4315
2"	#G420	#B420	#B4320
2-1/2"	#G425	#B425	#B4325
3"	#G430	#B430	#B4330
4"	#G440	#B440	*
6"	#G460	#B460	—

**MALLEABLE FITTINGS
GALVANIZED & BLACK**

TEE



	GALV. 150#	BLACK 150#	BLACK 300#
1/8"	#GT1	#BT1	—
1/4"	#GT2	#BT2	#BT32
3/8"	#GT3	#BT3	#BT33
1/2"	#GT5	#BT5	#BT35
3/4"	#GT7	#BT7	#BT37
1"	#GT10	#BT10	#BT310
1-1/4"	#GT12	#BT12	#BT312
1-1/2"	#GT15	#BT15	#BT315
2"	#GT20	#BT20	#BT320
2-1/2"	#GT25	#BT25	#BT325
3"	#GT30	#BT30	#BT330
4"	#GT40	#BT40	*
6"	#GT60	#BT60	—

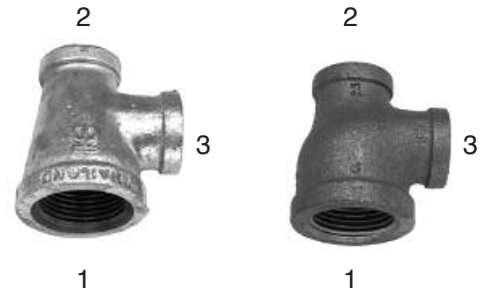
**STREET
45°**



	GALV. 150#	BLACK 150#
1/8"	#G41	#B41
1/4"	#G42	#B42
3/8"	#G43	#B43
1/2"	#G45	#B45
3/4"	#G47	#B47
1"	#G410	#B410
1-1/4"	#G412	#B412
1-1/2"	#G415	#B415
2"	#G420	#B420
2-1/2"	*	*
3"	*	*
4"	*	*

*AVAILABLE

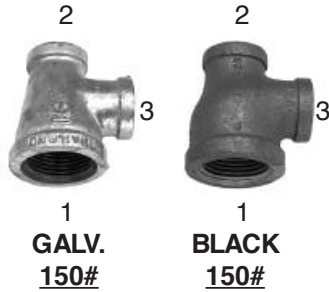
**REDUCING
TEE**



	GALV. 150#	BLACK 150#
1 2 3		
1/2" x 1/2" x 1/4"	#GT52	#BT52
1/2" x 1/2" x 3/8"	#GT53	#BT53
1/2" x 1/2" x 3/4"	#GT57	#BT57
3/4" x 1/2" x 1/2"	#GT755	#BT755
3/4" x 1/2" x 3/4"	#GT757	#BT757
3/4" x 1/2" x 1"	#GT7510	#BT7510
3/4" x 3/4" x 1/4"	#GT72	#BT72
3/4" x 3/4" x 3/8"	#GT73	#BT73
3/4" x 3/4" x 1/2"	#GT75	#BT75
3/4" x 3/4" x 1"	#GT710	#BT710

**MALLEABLE FITTINGS
GALVANIZED & BLACK**

**REDUCING
TEE
(CONTINUED)**



<u>1</u>	<u>2</u>	<u>3</u>	<u>150#</u>	<u>150#</u>
1"	x 1/2"	x 1/2"	#GT1055	#BT1055
1"	x 1/2"	x 3/4"	#GT1057	#BT1057
1"	x 1/2"	x 1"	#GT10510	#BT10510
1"	x 3/4"	x 1/2"	#GT1075	#BT1075
1"	x 3/4"	x 3/4"	#GT1077	#BT1077
1"	x 3/4"	x 1"	#GT10710	#BT10710
1"	x 1"	x 1/4"	#GT102	#BT102
1"	x 1"	x 3/8"	#GT103	#BT103
1"	x 1"	x 1/2"	#GT105	#BT105
1"	x 1"	x 3/4"	#GT107	#BT107
1-1/4"	x 1/2"	x 3/4"	*	#BT1257
1-1/4"	x 1/2"	x 1"	*	#BT12510
1-1/4"	x 1/2"	x 1-1/4"	*	#BT12512
1-1/4"	x 3/4"	x 1/2"	*	#BT1275
1-1/4"	x 3/4"	x 3/4"	*	#BT1277
1-1/4"	x 3/4"	x 1"	*	#BT12710
1-1/4"	x 3/4"	x 1-1/4"	*	#BT12712
1-1/4"	x 1"	x 1/2"	*	#BT12105
1-1/4"	x 1"	x 3/4"	*	#BT12107
1-1/4"	x 1"	x 1"	*	#BT121010
1-1/4"	x 1"	x 1-1/4"	*	#BT121012
1-1/4"	x 1-1/4"	x 1/2"	#GT125	#BT125
1-1/4"	x 1-1/4"	x 3/4"	#GT127	#BT127
1-1/4"	x 1-1/4"	x 1"	#GT1210	#BT1210
1-1/2"	x 1/2"	x 3/4"	*	#BT1557
1-1/2"	x 1/2"	x 1"	*	#BT15510
1-1/2"	x 1/2"	x 1-1/4"	*	#BT15512
1-1/2"	x 1/2"	x 1-1/2"	*	#BT15515
1-1/2"	x 3/4"	x 1/2"	*	#BT1575
1-1/2"	x 3/4"	x 3/4"	*	#BT1577
1-1/2"	x 3/4"	x 1"	*	#BT15710
1-1/2"	x 3/4"	x 1-1/4"	*	#BT15712
1-1/2"	x 3/4"	x 1-1/2"	*	#BT15715
1-1/2"	x 1"	x 1/2"	*	#BT15105
1-1/2"	x 1"	x 3/4"	*	#BT15107
1-1/2"	x 1"	x 1"	*	#BT151010
1-1/2"	x 1"	x 1-1/4"	*	#BT151012
1-1/2"	x 1"	x 1-1/2"	*	#BT151015

* AVAILABLE

**MALLEABLE FITTINGS
GALVANIZED & BLACK**

REDUCING TEE (CONTINUED)

<u>1</u>	<u>2</u>	<u>3</u>	<u>GALV. 150#</u>	<u>BLACK 150#</u>
1-1/2"	x 1-1/4"	x 1/2"	*	#BT15125
1-1/2"	x 1-1/4"	x 3/4"	*	#BT15127
1-1/2"	x 1-1/4"	x 1"	*	#BT151210
1-1/2"	x 1-1/4"	x 1-1/4"	*	#BT151212
1-1/2"	x 1-1/4"	x 1-1/2"	*	#BT151215
1-1/2"	x 1-1/4"	x 2"	*	#BT151220
1-1/2"	x 1-1/2"	x 1/2"	#GT155	#BT155
1-1/2"	x 1-1/2"	x 3/4"	#GT157	#BT157
1-1/2"	x 1-1/2"	x 1"	#GT1510	#BT1510
1-1/2"	x 1-1/2"	x 1-1/4"	#GT1512	#BT1512
2"	x 1/2"	x 2"	*	#BT20520
2"	x 3/4"	x 3/4"	*	#BT2077
2"	x 3/4"	x 2"	*	#BT20720
2"	x 1"	x 1"	*	#BT201010
2"	x 1"	x 1-1/4"	*	#BT201012
2"	x 1"	x 1-1/2"	*	#BT201015
2"	x 1"	x 2"	*	#BT201020
2"	x 1-1/4"	x 1"	*	#BT201210
2"	x 1-1/4"	x 1-1/4"	*	#BT201212
2"	x 1-1/4"	x 1-1/2"	*	#BT201215
2"	x 1-1/4"	x 2"	*	#BT201220
2"	x 1-1/2"	x 3/4"	*	#BT20157
2"	x 1-1/2"	x 1"	*	#BT201510
2"	x 1-1/2"	x 1-1/4"	*	#BT201512
2"	x 1-1/2"	x 1-1/2"	*	#BT201515
2"	x 1-1/2"	x 2"	*	#BT201520
2"	x 2"	x 1/2"	#GT205	#BT205
2"	x 2"	x 3/4"	#GT207	#BT207
2"	x 2"	x 1"	#GT2010	#BT2010
2"	x 2"	x 1-1/4"	#GT2012	#BT2012
2"	x 2"	x 1-1/2"	#GT2015	#BT2015
2-1/2"	x 2"	x 2"	*	#BT252020
2-1/2"	x 2"	x 2-1/2"	*	#BT252025
2-1/2"	x 2-1/2"	x 1"	*	#BT2510
2-1/2"	x 2-1/2"	x 1-1/4"	*	#BT2512
2-1/2"	x 2-1/2"	x 1-1/2"	#GT2515	#BT2515
2-1/2"	x 2-1/2"	x 2"	#GT2520	#BT2520
3"	x 2"	x 2"	*	#BT302020
3"	x 2"	x 3"	*	#BT302030
3"	x 3"	x 1-1/2"	#GT3015	#BT3015
3"	x 3"	x 2"	#GT3020	#BT3020
3"	x 3"	x 2-1/2"	#GT3025	#BT3025
4"	x 4"	x 1-1/2"	#GT4015	#BT4015
4"	x 4"	x 2"	#GT4020	#BT4020
4"	x 4"	x 2-1/2"	#GT4025	#BT4025
4"	x 4"	x 3"	#GT4030	#BT4030

**MALLEABLE FITTINGS
GALVANIZED & BLACK**

COUPLING



	GALV. 150#	BLACK 150#	BLACK 300#
1/8"	#GCO1	#BCO1	#BCO31
1/4"	#GCO2	#BCO2	#BCO322
3/8"	#GCO3	#BCO3	#BCO33
1/2"	#GCO5	#BCO5	#BCO35
3/4"	#GCO7	#BCO7	#BCO37
1"	#GCO10	#BCO10	#BCO310
1-1/4"	#GCO12	#BCO12	#BCO312
1-1/2"	#GCO15	#BCO15	#BCO315
2"	#GCO20	#BCO20	#BCO320
2-1/2"	#GCO25	#BCO25	#BCO325
3"	#GCO30	#BCO30	#BCO330
4"	#GCO40	#BCO40	*
6"	#GCO60	#BCO60	—

CROSS



	GALV. 150#	BLACK 150#
1/8"	#GCR1	#BCR1
1/4"	#GCR2	#BCR2
3/8"	#GCR3	#BCR3
1/2"	#GCR5	#BCR5
3/4"	#GCR7	#BCR7
1"	#GCR10	#BCR10
1-1/4"	#GCR12	#BCR12
1-1/2"	#GCR15	#BCR15
2"	#GCR20	#BCR20
2-1/2"	#GCR25	#BCR25
3"	#GCR30	#BCR30
4"	#GCR40	#BCR40

* AVAILABLE

**MALLEABLE FITTINGS
GALVANIZED & BLACK**

**REDUCING
COUPLING**



		GALV. 150#	BLACK 150#	BLACK 300#
1/4"	x 1/8"	#GCO21	#BCO21	—
3/8"	x 1/8"	#GCO31	#BCO31	—
3/8"	x 1/4"	#GCO32	#BCO32	*
1/2"	x 1/8"	#GCO51	#BCO51	—
1/2"	x 1/4"	#GCO52	#BCO52	*
1/2"	x 3/8"	#GCO53	#BCO53	*
3/4"	x 1/8"	#GCO71	#BCO71	—
3/4"	x 1/4"	#GCO72	#BCO72	*
3/4"	x 3/8"	#GCO73	#BCO73	*
3/4"	x 1/2"	#GCO75	#BCO75	#BCO375
1"	x 1/4"	#GCO102	#BCO102	—
1"	x 3/8"	#GCO103	#BCO103	—
1"	x 1/2"	#GCO105	#BCO105	#BCO3105
1"	x 3/4"	#GCO107	#BCO107	#BCO3107
1-1/4"	x 1/2"	#GCO125	#BCO125	#BCO3125
1-1/4"	x 3/4"	#GCO127	#BCO127	#BCO3127
1-1/4"	x 1"	#GCO1210	#BCO1210	#BCO31210
1-1/2"	x 1/2"	#GCO155	#BCO155	#BCO3155
1-1/2"	x 3/4"	#GCO157	#BCO157	#BCO3157
1-1/2"	x 1"	#GCO1510	#BCO1510	#BCO31510
1-1/2"	x 1-1/4"	#GCO1512	#BCO1512	#BCO31512
2"	x 1/2"	#GCO205	#BCO205	*
2"	x 3/4"	#GCO207	#BCO207	*
2"	x 1"	#GCO2010	#BCO2010	#BCO32010
2"	x 1-1/4"	#GCO2012	#BCO2012	#BCO32012
2"	x 1-1/2"	#GCO2015	#BCO2015	#BCO32015
2-1/2"	x 1"	#GCO2510	#BCO2510	—
2-1/2"	x 1-1/4"	#GCO2512	#BCO2512	—
2-1/2"	x 1-1/2"	#GCO2515	#BCO2515	*
2-1/2"	x 2"	#GCO2520	#BCO2520	#BCO32520
3"	x 1-1/2"	#GCO3015	#BCO3015	*
3"	x 2"	#GCO3020	#BCO3020	#BCO33020
3"	x 2-1/2"	#GCO3025	#BCO3025	#BCO33025
4"	x 1-1/2"	#GCO4015	#BCO4015	—
4"	x 2"	#GCO4020	#BCO4020	—
4"	x 2-1/2"	#GCO4025	#BCO4025	—

**** WEBSITE ****

www.smithcooper.com

MALLEABLE FITTINGS – GALVANIZED & BLACK

BUSHING



GALV. BLACK

1/4" x 1/8"	#GB21	#BB21
3/8" x 1/8"	#GB31	#BB31
3/8" x 1/4"	#GB32	#BB32
1/2" x 1/8"	#GB51	#BB51
1/2" x 1/4"	#GB52	#BB52
1/2" x 3/8"	#GB53	#BB53
3/4" x 1/8"	#GB71	#BB71
3/4" x 1/4"	#GB72	#BB72
3/4" x 3/8"	#GB73	#BB73
3/4" x 1/2"	#GB75	#BB75
1" x 1/4"	#GB102	#BB102
1" x 3/8"	#GB103	#BB103
1" x 1/2"	#GB105	#BB105
1" x 3/4"	#GB107	#BB107
1-1/4" x 1/4"	#GB122	#BB122
1-1/4" x 3/8"	#GB123	#BB123
1-1/4" x 1/2"	#GB125	#BB125
1-1/4" x 3/4"	#GB127	#BB127
1-1/4" x 1"	#GB1210	#BB1210
1-1/2" x 1/4"	#GB152	#BB152
1-1/2" x 3/8"	#GB153	#BB153
1-1/2" x 1/2"	#GB155	#BB155
1-1/2" x 3/4"	#GB157	#BB157
1-1/2" x 1"	#GB1510	#BB1510
1-1/2" x 1-1/4"	#GB1512	#BB1512
2" x 1/4"	#GB202	#BB202
2" x 3/8"	#GB203	#BB203
2" x 1/2"	#GB205	#BB205
2" x 3/4"	#GB207	#BB207
2" x 1"	#GB2010	#BB2010
2" x 1-1/4"	#GB2012	#BB2012
2" x 1-1/2"	#GB2015	#BB2015
2-1/2" x 1/2"	#GB255	#BB255
2-1/2" x 3/4"	#GB257	#BB257
2-1/2" x 1"	#GB2510	#BB2510
2-1/2" x 1-1/4"	#GB2512	#BB2512
2-1/2" x 1-1/2"	#GB2515	#BB2515
2-1/2" x 2"	#GB2520	#BB2520
3" x 1/2"	#GB305	#BB305
3" x 3/4"	#GB307	#BB307
3" x 1"	#GB3010	#BB3010
3" x 1-1/4"	#GB3012	#BB3012
3" x 1-1/2"	#GB3015	#BB3015
3" x 2"	#GB3020	#BB3020
3" x 2-1/2"	#GB3025	#BB3025
3-1/2" x 3"	#GB3530	#BB3530
4" x 1-1/2"	#GB4015	#BB4015
4" x 2"	#GB4020	#BB4020
4" x 2-1/2"	#GB4025	#BB4025
4" x 3"	#GB4030	#BB4030
6" x 4"	#GB6040	#BB6040

PLUG
RAISED SQUARE HEAD



GALV. BLACK

1/8"	#GP1	#BP1
1/4"	#GP2	#BP2
3/8"	#GP3	#BP3
1/2"	#GP5	#BP5
3/4"	#GP7	#BP7
1"	#GP10	#BP10
1-1/4"	#GP12	#BP12
1-1/2"	#GP15	#BP15
2"	#GP20	#BP20
2-1/2"	#GP25	#BP25
3"	#GP30	#BP30
4"	#GP40	#BP40
6"	#GP60	#BP60

PLUG
HEX COUNTER SUNK



GALV. BLACK

1/8"	#GPC1	#BPC1
1/4"	#GPC2	#BPC2
3/8"	#GPC3	#BPC3
1/2"	#GPC5	#BPC5
3/4"	#GPC7	#BPC7
1"	#GPC10	#BPC10

CAP



GALV. 150# BLACK 150# BLACK 300#

1/8"	#GCA1	#BCA1	#BCA31
1/4"	#GCA2	#BCA2	#BCA32
3/8"	#GCA3	#BCA3	#BCA33
1/2"	#GCA5	#BCA5	#BCA35
3/4"	#GCA7	#BCA7	#BCA37
1"	#GCA10	#BCA10	#BCA310
1-1/4"	#GCA12	#BCA12	#BCA312
1-1/2"	#GCA15	#BCA15	#BCA315
2"	#GCA20	#BCA20	#BCA320
2-1/2"	#GCA25	#BCA25	#BCA325
3"	#GCA30	#BCA30	#BCA330
4"	#GCA40	#BCA40	#BCA340
6"	#GCA60	#BCA60	#BCA360

**MALLEABLE FITTINGS
GALVANIZED & BLACK**

**COMPANION
FLANGE**



GALV.
125#

BLACK
150#

1/2"	*	#BWTF5
3/4"	*	#BWTF7
1"	*	#BWTF10
1-1/4"	*	#BWTF12
1-1/2"	#GCF15	#BWTF15
2"	#GCF20	#BWTF20
2-1/2"	#GCF25	#BWTF25
3"	#GCF30	#BWTF30
4"	#GCF40	#BWTF40
6"	*	#BWTF60

SEE DIMENSIONS ON PAGE 21

**FLOOR
FLANGE**



(NON-PRESSURE SERVICE)

GALV.

BLACK

1/2"	#GFF5	*
3/4"	#GFF7	*
1"	#GFF10	*
1-1/4"	#GFF12	*
1-1/2"	#GFF15	*
2"	#GFF20	*
2-1/2"	#GFF25	*
3"	#GFF30	*
4"	#GFF40	*

**CARDBOARD
STORAGE
BINS**

SEE PAGE 220



*AVAILABLE

**MALLEABLE FITTINGS
GALVANIZED & BLACK**

**WYE
(45° LATERAL)**



GALV.
150#

BLACK
150#

1/2"	#GW5	#BW5
3/4"	#GW7	#BW7
1"	#GW10	#BW10
1-1/4"	#GW12	#BW12
1-1/2"	#GW15	#BW15
2"	#GW20	#BW20

LARGER SIZES AVAILABLE

**LOCK
NUT**



GALV.

BLACK

1/2"	#GL5	#BL5
3/4"	#GL7	#BL7
1"	#GL10	#BL10
1-1/4"	#GL12	#BL12
1-1/2"	#GL15	#BL15
2"	#GL20	#BL20

LARGER SIZES AVAILABLE

**WASTE
NUT**



GALV.

BLACK

1/2"	#GWN5	*
3/4"	#GWN7	*
1"	#GWN10	*

**MALLEABLE FITTINGS
GALVANIZED & BLACK**

**SIDE
OUTLET
TEE**



(NON-PRESSURE SERVICE)

GALV.

1/2"	#GSOT5
3/4"	#GSOT7
1"	#GSOT10
1-1/4"	#GSOT12
1-1/2"	#GSOT15
2"	#GSOT20

AVAILABLE IN BLACK

**SIDE
OUTLET
90°**



(NON-PRESSURE SERVICE)

GALV.

1/2"	#GSO95
3/4"	#GSO97
1"	#GSO910
1-1/4"	#GSO912
1-1/2"	#GSO915
2"	#GSO920

AVAILABLE IN BLACK

**EXTENSION
PIECE**



GALV.

1/2"	#GEP5
3/4"	#GEP7
1"	#GEP10

AVAILABLE IN BLACK
AND LARGER SIZES

PIPE JOINT SEALANTS



SEE PAGE 225 & 226



**TEFLON
TAPE**

STANDARD:

1/4" x 520"	#TT2
1/2" x 520"	#TT5
3/4" x 520"	#TT7
1" x 520"	#TT10

HEAVY DUTY:

1/2" x 1429"	#70885
--------------	--------

FOR STAINLESS STEEL (SILVER):

1/2" x 260"	#70891
-------------	--------

FOR GAS LINES (YELLOW):

1/2" x 260"	#70820
-------------	--------

FOR OXYGEN LINES (GREEN):

1/2" x 260"	#70850
-------------	--------

**HAND CLEANING
TOWELS**



PRE-MOISTENED
TOWELS
#45333

**RAGS
WHITE COTTON**



12 PACK
14" x 17"

#TCRAGS

**FORGED STEEL FITTINGS
3000# THREADED**

**90°
3000#**



THREADED

- 1/4" #FS92
- 3/8" #FS93
- 1/2" #FS95
- 3/4" #FS97
- 1" #FS910
- 1-1/4" #FS912
- 1-1/2" #FS915
- 2" #FS920

LARGER SIZES AVAILABLE



**STREET
90°
3000#**



THREADED

AVAILABLE 1/4" - 4"



**45°
3000#**



THREADED

- 1/4" #FS42
- 3/8" #FS43
- 1/2" #FS45
- 3/4" #FS47
- 1" #FS410
- 1-1/4" #FS412
- 1-1/2" #FS415
- 2" #FS420

LARGER SIZES AVAILABLE

**FORGED STEEL FITTINGS
3000# THREADED**



**TEE
3000#**

THREADED

- 1/4" #FST2
- 3/8" #FST3
- 1/2" #FST5
- 3/4" #FST7
- 1" #FST10
- 1-1/4" #FST12
- 1-1/2" #FST15
- 2" #FST20

LARGER SIZES AVAILABLE

REDUCING TEES AVAILABLE



**HALF
COUPLING
3000#**

THREADED

- 1/4" #FSHCO2
- 3/8" #FSHCO3
- 1/2" #FSHCO5
- 3/4" #FSHCO7
- 1" #FSHCO10
- 1-1/4" #FSHCO12
- 1-1/2" #FSHCO15
- 2" #FSHCO20

LARGER SIZES AVAILABLE



**** WEBSITE ****



www.smithcooper.com

**FORGED STEEL FITTINGS
3000# THREADED**



**COUPLING
3000#**

THREADED

- 1/4" #FSCO2
- 3/8" #FSCO3
- 1/2" #FSCO5
- 3/4" #FSCO7
- 1" #FSCO10
- 1-1/4" #FSCO12
- 1-1/2" #FSCO15
- 2" #FSCO20

LARGER SIZES AVAILABLE



**REDUCING
COUPLING
3000#**

THREADED

- 3/8" x 1/4" #FSCO32
- 1/2" x 1/4" #FSCO52
- 1/2" x 3/8" #FSCO53
- 3/4" x 1/4" #FSCO72
- 3/4" x 3/8" #FSCO73
- 3/4" x 1/2" #FSCO75
- 1" x 1/4" #FSCO102
- 1" x 3/8" #FSCO103
- 1" x 1/2" #FSCO105
- 1" x 3/4" #FSCO107
- 1-1/4" x 1/2" #FSCO125
- 1-1/4" x 3/4" #FSCO127
- 1-1/4" x 1" #FSCO1210
- 1-1/2" x 1/2" #FSCO155
- 1-1/2" x 3/4" #FSCO157
- 1-1/2" x 1" #FSCO1510
- 1-1/2" x 1-1/4" #FSCO1512
- 2" x 1/2" #FSCO205
- 2" x 3/4" #FSCO207
- 2" x 1" #FSCO2010
- 2" x 1-1/4" #FSCO2012
- 2" x 1-1/2" #FSCO2015

LARGER SIZES AVAILABLE

**FORGED STEEL FITTINGS
3000# THREADED**

**UNION
3000#
THREADED**



- 1/4" #FSU2
- 3/8" #FSU3
- 1/2" #FSU5
- 3/4" #FSU7
- 1" #FSU10
- 1-1/4" #FSU12
- 1-1/2" #FSU15
- 2" #FSU20

LARGER SIZES AVAILABLE

**BUSHING
3000#
THREADED**



- 3/8" x 1/4" #FSB32
- 1/2" x 1/4" #FSB52
- 1/2" x 3/8" #FSB53
- 3/4" x 1/4" #FSB72
- 3/4" x 3/8" #FSB73
- 3/4" x 1/2" #FSB75
- 1" x 1/4" #FSB102
- 1" x 3/8" #FSB103
- 1" x 1/2" #FSB105
- 1" x 3/4" #FSB107
- 1-1/4" x 1/2" #FSB125
- 1-1/4" x 3/4" #FSB127
- 1-1/4" x 1" #FSB1210
- 1-1/2" x 1/2" #FSB155
- 1-1/2" x 3/4" #FSB157
- 1-1/2" x 1" #FSB1510
- 1-1/2" x 1-1/4" #FSB1512
- 2" x 1/2" #FSB205
- 2" x 3/4" #FSB207
- 2" x 1" #FSB2010
- 2" x 1-1/4" #FSB2012
- 2" x 1-1/2" #FSB2015

LARGER SIZES AVAILABLE

**FORGED STEEL FITTINGS
3000# THREADED**



**PLUG
3000#
THREADED**

- 1/4" #FSP2
- 3/8" #FSP3
- 1/2" #FSP5
- 3/4" #FSP7
- 1" #FSP10
- 1-1/4" #FSP12
- 1-1/2" #FSP15
- 2" #FSP20

LARGER SIZES AVAILABLE



**CROSS
3000#
THREADED**

AVAILABLE 1/4" - 4"

NYLON TIES



100 PIECES PER BAG

- | | | |
|-----|--------------|--------------|
| | <u>WHITE</u> | <u>BLACK</u> |
| 4" | #DT4 | #DT4B |
| 7" | #DT6 | #DT6B |
| 11" | #DT11 | #DT11B |
| 14" | #DT14 | #DT14B |

450 PIECE MIX: (4" - 7" - 11")
WHITE #450
BLACK #450B

MOUNTING BASE:
WHITE 100/BAG #DT75S
BLACK 100/BAG #DT75SB

**FORGED STEEL FITTINGS
3000# THREADED**



**CAP
3000#
THREADED**

- 1/4" #FSCA2
- 3/8" #FSCA3
- 1/2" #FSCA5
- 3/4" #FSCA7
- 1" #FSCA10
- 1-1/4" #FSCA12
- 1-1/2" #FSCA15
- 2" #FSCA20

LARGER SIZES AVAILABLE

**HIGH PRESSURE
PIPE & NIPPLES**

PIPE: SEE PAGE 24
BLACK SCH. 80

NIPPLES: SEE PAGES 25-27
BLACK SCH. 80

HAND CLEANER



PERMATEX

**FAST
ORANGE**

- 15 OZ. #25116
- 1 GAL. WITH PUMP #25218
- HAND & NAIL BRUSH #73864

**FORGED STEEL FITTINGS
3000# SOCKET WELD**

**COUPLING
3000#**



**SOCKET
WELD**

- 1/2" #SWCO5
- 3/4" #SWCO7
- 1" #SWCO10
- 1-1/4" #SWCO12
- 1-1/2" #SWCO15
- 2" #SWCO20

LARGER SIZES AVAILABLE

**HALF
COUPLING
3000#**



**SOCKET
WELD**

AVAILABLE 1/4" - 4"

**REDUCING
COUPLING
3000#**



**SOCKET
WELD**

MANY SIZES AVAILABLE

**CAP
3000#**



**SOCKET
WELD**

- 1/2" #SWCA5
- 3/4" #SWCA7
- 1" #SWCA10
- 1-1/4" #SWCA12
- 1-1/2" #SWCA15
- 2" #SWCA20

LARGER SIZES AVAILABLE

**FORGED STEEL FITTINGS
3000# SOCKET WELD**



**UNION
3000#**

**SOCKET
WELD**

- 1/2" #SWU5
- 3/4" #SWU7
- 1" #SWU10
- 1-1/4" #SWU12
- 1-1/2" #SWU15
- 2" #SWU20

LARGER SIZES AVAILABLE



**INSERT
(BUSHING)
3000#**

**SOCKET
WELD**

- 3/4" x 1/2" #SWI75
- 1" x 1/2" #SWI105
- 1" x 3/4" #SWI107
- 1-1/4" x 1/2" #SWI125
- 1-1/4" x 3/4" #SWI127
- 1-1/4" x 1" #SWI1210
- 1-1/2" x 1/2" #SWI155
- 1-1/2" x 3/4" #SWI157
- 1-1/2" x 1" #SWI1510
- 1-1/2" x 1-1/4" #SWI1512
- 2" x 1/2" #SWI205
- 2" x 3/4" #SWI207
- 2" x 1" #SWI2010
- 2" x 1-1/4" #SWI2012
- 2" x 1-1/2" #SWI2015

LARGER SIZES AVAILABLE



**CAN'T
FIND
IT?**

**GIVE US
A CALL.
(714) 241-7050**

**FORGED STEEL FITTINGS
3000# SOCKET WELD**



**90°
3000#**

**SOCKET
WELD**

- 1/2" #SW95
- 3/4" #SW97
- 1" #SW910
- 1-1/4" #SW912
- 1-1/2" #SW915
- 2" #SW920

LARGER SIZES AVAILABLE



**45°
3000#**

**SOCKET
WELD**

- 1/2" #SW45
- 3/4" #SW47
- 1" #SW410
- 1-1/4" #SW412
- 1-1/2" #SW415
- 2" #SW420

LARGER SIZES AVAILABLE



**TEE
3000#**

**SOCKET
WELD**

- 1/2" #SWT5
- 3/4" #SWT7
- 1" #SWT10
- 1-1/4" #SWT12
- 1-1/2" #SWT15
- 2" #SWT20

LARGER SIZES AVAILABLE

REDUCING TEES AVAILABLE

**BUTT WELD FITTINGS
150# STEEL**

**BUTT
WELD
CONCENTRIC
REDUCER**



1"	x	3/4"	#BWCR107
1-1/4"	x	1"	#BWCR1210
1-1/2"	x	1-1/4"	#BWCR1512
2"	x	1-1/2"	#BWCR2015
2-1/2"	x	1-1/2"	#BWCR2515
2-1/2"	x	2"	#BWCR2520
3"	x	1-1/2"	#BWCR3015
3"	x	2"	#BWCR3020
3"	x	2-1/2"	#BWCR3025
4"	x	1-1/2"	#BWCR4015
4"	x	2"	#BWCR4020
4"	x	2-1/2"	#BWCR4025
4"	x	3"	#BWCR4030
5"	x	4"	#BWCR5040
6"	x	3"	#BWCR6030
6"	x	4"	#BWCR6040
8"	x	4"	#BWCR8040
8"	x	6"	#BWCR8060

OTHER SIZES AVAILABLE

**BUTT
WELD
ECCENTRIC
REDUCER**



MANY SIZES AVAILABLE

We gladly accept...



**BUTT WELD FITTINGS
150# STEEL**



**BUTT
WELD
90°**

3/4"	#BW97
1"	#BW910
1-1/4"	#BW912
1-1/2"	#BW915
2"	#BW920
2-1/2"	#BW925
3"	#BW930
4"	#BW940
5"	#BW950
6"	#BW960
8"	#BW980

LARGER SIZES AVAILABLE



**BUTT
WELD
45°**

3/4"	#BW47
1"	#BW410
1-1/4"	#BW412
1-1/2"	#BW415
2"	#BW420
2-1/2"	#BW425
3"	#BW430
4"	#BW440
5"	#BW450
6"	#BW460
8"	#BW480

LARGER SIZES AVAILABLE

**FLANGED FITTING
DUCTILE IRON 150#**



**FLANGED
90°**

3"	#FCI930
4"	#FCI940

OTHER SIZES AVAILABLE

**BUTT WELD FITTINGS
150# STEEL**



**BUTT
WELD
TEE**

3/4"	#BWT7
1"	#BWT10
1-1/4"	#BWT12
1-1/2"	#BWT15
2"	#BWT20
2-1/2"	#BWT25
3"	#BWT30
4"	#BWT40
5"	#BWT50
6"	#BWT60
8"	#BWT80

LARGER SIZES AVAILABLE



**BUTT
WELD
CAP**

3/4"	#BWCA7
1"	#BWCA10
1-1/4"	#BWCA12
1-1/2"	#BWCA15
2"	#BWCA20
2-1/2"	#BWCA25
3"	#BWCA30
4"	#BWCA40
5"	#BWCA50
6"	#BWCA60
8"	#BWCA80

**FLANGED FITTING
DUCTILE IRON 150#**



**FLANGED
TEE**

3"	#FCIT30
4"	#FCIT40

OTHER SIZES AVAILABLE

STEEL FLANGES

THREADED



150# & 300#

150#

1/2"	#BWTF5
3/4"	#BWTF7
1"	#BWTF10
1-1/4"	#BWTF12
1-1/2"	#BWTF15
2"	#BWTF20
2-1/2"	#BWTF25
3"	#BWTF30
4"	#BWTF40
6"	#BWTF60

300#

2"	#BWTF320
2-1/2"	#BWTF325
3"	#BWTF330
4"	#BWTF340

OTHER SIZES AVAILABLE

REDUCING FLANGES AVAILABLE

BLIND



150#

150#

3/4"	#BWBF7
1"	#BWBF10
1-1/4"	#BWBF12
1-1/2"	#BWBF15
2"	#BWBF20
2-1/2"	#BWBF25
3"	#BWBF30
4"	#BWBF40
6"	#BWBF60
8"	#BWBF80

OTHER SIZES AVAILABLE

STEEL FLANGES



**SLIP-ON
(WELDED)**

150# & 300#

150#

3/4"	#BWSOF7
1"	#BWSOF10
1-1/4"	#BWSOF12
1-1/2"	#BWSOF15
2"	#BWSOF20
2-1/2"	#BWSOF25
3"	#BWSOF30
4"	#BWSOF40
5"	#BWSOF50
6"	#BWSOF60
8"	#BWSOF80

300#

2"	#BWSOF320
2-1/2"	#BWSOF325
3"	#BWSOF330
4"	#BWSOF340
6"	#BWSOF360

OTHER SIZES AVAILABLE



**WELD
NECK
(WELDED)**

150#

150#

3/4"	#BWWNF7
1"	#BWWNF10
1-1/4"	#BWWNF12
1-1/2"	#BWWNF15
2"	#BWWNF20
2-1/2"	#BWWNF25
3"	#BWWNF30
4"	#BWWNF40
6"	#BWWNF60
8"	#BWWNF80

OTHER SIZES AVAILABLE

**150# FLANGE
DIMENSIONS**

<u>PIPE SIZE</u>	<u>OUTSIDE DIA. OF FLANGE</u>	<u>BOLT CIRCLE</u>	<u>BOLT HOLES</u>
1/2"	3-1/2"	2-3/8"	4
3/4"	3-7/8"	2-3/4"	4
1"	4-1/4"	3-1/8"	4
1-1/4"	4-5/8"	3-1/2"	4
1-1/2"	5"	3-7/8"	4
2"	6"	4-3/4"	4
2-1/2"	7"	5-1/2"	4
3"	7-1/2"	6"	4
3-1/2"	8-1/2"	7"	8
4"	9"	7-1/2"	8
5"	10"	8-1/2"	8
6"	11"	9-1/2"	8
8"	13-1/2"	11-3/4"	8
10"	16"	14-1/4"	12
12"	19"	17"	12
14"	21"	18-3/4"	12
16"	23-1/2"	21-1/4"	16

**300# FLANGE
DIMENSIONS**

<u>PIPE SIZE</u>	<u>OUTSIDE DIA. OF FLANGE</u>	<u>BOLT CIRCLE</u>	<u>BOLT HOLES</u>
1/2"	3-3/4"	2-5/8"	4
3/4"	4-5/8"	3-1/4"	4
1"	4-7/8"	3-1/2"	4
1-1/4"	5-1/4"	3-7/8"	4
1-1/2"	6-1/8"	4-1/2"	4
2"	6-1/2"	5"	8
2-1/2"	7-1/2"	5-7/8"	8
3"	8-1/4"	6-5/8"	8
4"	10"	7-7/8"	8
5"	11"	9-1/4"	8
6"	12-1/2"	10-5/8"	12
8"	15"	13"	12
10"	17-1/2"	15-1/4"	16
12"	20-1/2"	17-3/4"	16

GASKETS & HARDWARE



PAGES 147-149

**STEEL FULL COUPLING
(MERCHANT)**

(FOR WELDING)

**150#
THREADED**



1/8"	#BMCO1
1/4"	#BMCO2
3/8"	#BMCO3
1/2"	#BMCO5
3/4"	#BMCO7
1"	#BMCO10
1-1/4"	#BMCO12
1-1/2"	#BMCO15
2"	#BMCO20
2-1/2"	#BMCO25
3"	#BMCO30
4"	#BMCO40
6"	#BMCO60

1/8" - 2" STRAIGHT TAPPED
2-1/2" - 6" TAPER TAPPED

**STEEL HALF COUPLING
(MERCHANT)**

(FOR WELDING)

**150#
THREADED**



1/8"	#BHCO1
1/4"	#BHCO2
3/8"	#BHCO3
1/2"	#BHCO5
3/4"	#BHCO7
1"	#BHCO10
1-1/4"	#BHCO12
1-1/2"	#BHCO15
2"	#BHCO20
2-1/2"	#BHCO25
3"	#BHCO30
4"	#BHCO40
6"	#BHCO60

1/8" - 2" STRAIGHT TAPPED
2-1/2" - 6" TAPER TAPPED

**STEEL
THREAD-O-LET**



3000#

**THR. FITS
OUTLET PIPE SIZE**

<u>1/2"</u>	x	1/2"	#TOL55
	x	3/4" - 36"	#TOL57
<u>3/4"</u>	x	3/4" - 1-1/4"	#TOL77
	x	1-1/2" - 36"	#TOL715
<u>1"</u>	x	1"	#TOL1010
	x	1-1/4" - 2-1/2"	#TOL1012
	x	3" - 36"	#TOL1030
<u>1-1/4"</u>	x	1-1/4" - 1-1/2"	#TOL1212
	x	2" - 3-1/2"	#TOL1220
	x	4" - 36"	#TOL1240
<u>1-1/2"</u>	x	1-1/2"	#TOL1515
	x	2" - 2-1/2"	#TOL1520
	x	3" - 5"	#TOL1530
	x	6" - 36"	#TOL1560
<u>2"</u>	x	2"	#TOL2020
	x	2-1/2" - 3"	#TOL2025
	x	4" - 6"	#TOL2040
	x	8" - 36"	#TOL2080
<u>2-1/2"</u>	x	2-1/2"	#TOL2525
	x	3"	#TOL2530
	x	4" - 6"	#TOL2540
	x	8" - 36"	#TOL2580
<u>3"</u>	x	3"	#TOL3030
	x	3-1/2" - 4"	#TOL3035
	x	6" - 14"	#TOL3060
<u>4"</u>	x	4"	#TOL4040
	x	5" - 6"	#TOL4050
	x	8" - 10"	#TOL4080
	x	12" - 20"	#TOL40120

STEEL TANK FLANGE

(FOR WELDING)



150#

**THREADED
OUTLET**

1/4"	#BTF2
3/8"	#BTF3
1/2"	#BTF5
3/4"	#BTF7
1"	#BTF10
1-1/4"	#BTF12
1-1/2"	#BTF15
2"	#BTF20
2-1/2"	#BTF25
3"	#BTF30
4"	#BTF40

PIPE JOINT SEALANTS



SEE PAGES 225 & 226



Come on by!

GROOVED COUPLING

GROOVED COUPLING



- 1-1/2" #GRCO15
- 2" #GRCO20
- 2-1/2" #GRCO25
- 3" #GRCO30
- 4" #GRCO40
- 6" #GRCO60
- 8" #GRCO80

LARGER SIZES AVAILABLE

GASKET ONLY

FOR GROOVED COUPLING



- 1-1/2" #GRGO15
- 2" #GRGO20
- 2-1/2" #GRGO25
- 3" #GRGO30
- 4" #GRGO40
- 6" #GRGO60
- 8" #GRGO80

LARGER SIZES AVAILABLE

GASKET LUBRICANT



- QUART #PJLQ
- GALLON #PJLG

GROOVED FITTINGS



GROOVED 90°

- 1-1/2" #GR915
- 2" #GR920
- 2-1/2" #GR925
- 3" #GR930
- 4" #GR940
- 6" #GR960

LARGER SIZES AVAILABLE



GROOVED 45°

- 1-1/2" #GR415
- 2" #GR420
- 2-1/2" #GR425
- 3" #GR430
- 4" #GR440
- 6" #GR460

LARGER SIZES AVAILABLE



GROOVED x MALE ADAPTER

- 1-1/2" #GRM15
- 2" #GRM20
- 2-1/2" #GRM25
- 3" #GRM30
- 4" #GRM40
- 6" #GRM60

ALSO AVAILABLE:
- GROOVED x BEVEL
- GROOVED x GROOVED

GROOVED FITTINGS



GROOVED TEE

- 1-1/2" #GRT15
- 2" #GRT20
- 2-1/2" #GRT25
- 3" #GRT30
- 4" #GRT40
- 6" #GRT60

LARGER SIZES AVAILABLE



GROOVED REDUCER

- 2" x 1-1/2" #GRR2015
- 2-1/2" x 2" #GRR2520
- 3" x 2" #GRR3020
- 4" x 3" #GRR4030

LARGER SIZES AVAILABLE



GROOVED CAP

- 1-1/2" #GRCA15
- 2" #GRCA20
- 2-1/2" #GRCA25
- 3" #GRCA30
- 4" #GRCA40
- 6" #GRCA60

**** WEBSITES ****

www.smithcooper.com
www.victaulic.com

**STEEL PIPE
GALVANIZED & BLACK**
SCHEDULE 40 & 80



SCH. 40: THREADED ENDS, 21' LONG
(HALF LENGTHS AVAILABLE)

SCH. 80: PLAIN ENDS – SEAMLESS
(21' LENGTHS ONLY)

PRE-CUT & THREADED LENGTHS AVAILABLE –
SEE FOLLOWING PAGES

	<u>GALV. SCH. 40</u>	<u>BLACK SCH. 40</u>	<u>BLACK SCH. 80</u>
1/8"	#GP41	#BP41	*
1/4"	#GP42	#BP42	#BP82
3/8"	#GP43	#BP43	#BP83
1/2"	#GP45	#BP45	#BP85
3/4"	#GP47	#BP47	#BP87
1"	#GP410	#BP410	#BP810
1-1/4"	#GP412	#BP412	#BP812
1-1/2"	#GP415	#BP415	#BP815
2"	#GP420	#BP420	#BP820
2-1/2"	#GP425	#BP425	#BP825
3"	#GP430	#BP430	#BP830
4"	#GP440	#BP440	#BP840
5"	*	#BP450	*
6"	*	#BP460**	*

LARGER SIZES AVAILABLE

SCHEDULE 160 AVAILABLE

* = AVAILABLE
** = PLAIN ENDS

STEEL PIPE DIMENSIONS

<u>PIPE SIZE</u>	<u>O.D.</u>	<u>WALL SCH. 40</u>	<u>WALL SCH. 80</u>
1/8"	.405	.068	.095
1/4"	.540	.088	.119
3/8"	.675	.091	.126
1/2"	.840	.109	.147
3/4"	1.050	.113	.154
1"	1.315	.133	.179
1-1/4"	1.660	.140	.191
1-1/2"	1.900	.145	.200
2"	2.375	.154	.218
2-1/2"	2.875	.203	.276
3"	3.500	.216	.300
3-1/2"	4.000	.226	.318
4"	4.500	.237	.337
5"	5.563	.258	.375
6"	6.625	.280	.432
8"	8.625	.322	.500
10"	10.750	.365	.593
12"	12.750	.406	.687

FLETCHER SCOTCH KOTE

(FOR NATURAL GAS LINE APPLICATIONS)



**BLACK
SCHEDULE 40
(COATED)**

SPEC #206N

21' LENGTHS ONLY

1/2"	#FGK5
3/4"	#FGK7
1"	#FGK10
1-1/4"	#FGK12
1-1/2"	#FGK15
2"	#FGK20

LARGER SIZES AVAILABLE



**PIPE JOINT
SEALANTS**

SEE PAGES
225 & 226

**STEEL NIPPLES
GALVANIZED & BLACK**



	<u>GALV. SCH. 40</u>	<u>BLACK SCH. 40</u>	<u>BLACK SCH. 80</u>
1/8" x CLOSE	#GN1CL	#BN1CL	#BN81CL
x 1-1/2"	#GN115	#BN115	#BN8115
x 2"	#GN120	#BN120	#BN8120
x 2-1/2"	#GN125	#BN125	#BN8125
x 3"	#GN130	#BN130	#BN8130
x 3-1/2"	#GN135	#BN135	#BN8135
x 4"	#GN140	#BN140	#BN8140
x 4-1/2"	#GN145	#BN145	#BN8145
x 5"	#GN150	#BN150	#BN8150
x 5-1/2"	#GN155	#BN155	#BN8155
x 6"	#GN160	#BN160	#BN8160
x 8"	#GN180	#BN180	#BN8180
x 10"	#GN110	#BN110	#BN8110
x 12"	#GN112	#BN112	#BN8112
x 18"	#GNL118	#BNL118	*
x 24"	#GNL124	#BNL124	*
x 30"	#GNL130	#BNL130	*
x 36"	#GNL136	#BNL136	*

	<u>GALV. SCH. 40</u>	<u>BLACK SCH. 40</u>	<u>BLACK SCH. 80</u>
1/4" x CLOSE	#GN2CL	#BN2CL	#BN82CL
x 1-1/2"	#GN215	#BN215	#BN8215
x 2"	#GN220	#BN220	#BN8220
x 2-1/2"	#GN225	#BN225	#BN8225
x 3"	#GN230	#BN230	#BN8230
x 3-1/2"	#GN235	#BN235	#BN8235
x 4"	#GN240	#BN240	#BN8240
x 4-1/2"	#GN245	#BN245	#BN8245
x 5"	#GN250	#BN250	#BN8250
x 5-1/2"	#GN255	#BN255	#BN8255
x 6"	#GN260	#BN260	#BN8260
x 8"	#GN280	#BN280	#BN8280
x 10"	#GN210	#BN210	#BN8210
x 12"	#GN212	#BN212	#BN8212
x 18"	#GNL218	#BNL218	*
x 24"	#GNL224	#BNL224	*
x 30"	#GNL230	#BNL230	*
x 36"	#GNL236	#BNL236	*

**CARDBOARD
STORAGE
BINS**

SEE PAGE 220



**STEEL NIPPLES
GALVANIZED & BLACK**



	<u>GALV. SCH. 40</u>	<u>BLACK SCH. 40</u>	<u>BLACK SCH. 80</u>
3/8" x CLOSE	#GN3CL	#BN3CL	#BN83CL
x 1-1/2"	#GN315	#BN315	#BN8315
x 2"	#GN320	#BN320	#BN8320
x 2-1/2"	#GN325	#BN325	#BN8325
x 3"	#GN330	#BN330	#BN8330
x 3-1/2"	#GN335	#BN335	#BN8335
x 4"	#GN340	#BN340	#BN8340
x 4-1/2"	#GN345	#BN345	#BN8345
x 5"	#GN350	#BN350	#BN8350
x 5-1/2"	#GN355	#BN355	#BN8355
x 6"	#GN360	#BN360	#BN8360
x 8"	#GN380	#BN380	#BN8380
x 10"	#GN310	#BN310	#BN8310
x 12"	#GN312	#BN312	#BN8312
x 18"	#GNL318	#BNL318	*
x 24"	#GNL324	#BNL324	*
x 30"	#GNL330	#BNL330	*
x 36"	#GNL336	#BNL336	*

	<u>GALV. SCH. 40</u>	<u>BLACK SCH. 40</u>	<u>BLACK SCH. 80</u>
1/2" x CLOSE	#GN5CL	#BN5CL	#BN85CL
x 1-1/2"	#GN515	#BN515	#BN8515
x 2"	#GN520	#BN520	#BN8520
x 2-1/2"	#GN525	#BN525	#BN8525
x 3"	#GN530	#BN530	#BN8530
x 3-1/2"	#GN535	#BN535	#BN8535
x 4"	#GN540	#BN540	#BN8540
x 4-1/2"	#GN545	#BN545	#BN8545
x 5"	#GN550	#BN550	#BN8550
x 5-1/2"	#GN555	#BN555	#BN8555
x 6"	#GN560	#BN560	#BN8560
x 8"	#GN580	#BN580	#BN8580
x 10"	#GN510	#BN510	#BN8510
x 12"	#GN512	#BN512	#BN8512
x 18"	#GNL518	#BNL518	#BN8L518
x 24"	#GNL524	#BNL524	#BN8L524
x 30"	#GNL530	#BNL530	#BN8L530
x 36"	#GNL536	#BNL536	#BN8L536
x 48"	#GNL548	#BNL548	*
x 60"	#GNL560	#BNL560	*
x 72"	#GNL572	#BNL572	*

* = AVAILABLE

**STEEL NIPPLES
GALVANIZED & BLACK**



	<u>GALV. SCH. 40</u>	<u>BLACK SCH. 40</u>	<u>BLACK SCH. 80</u>
3/4" x CLOSE	#GN7CL	#BN7CL	#BN87CL
x 1-1/2"	#GN715	#BN715	#BN8715
x 2"	#GN720	#BN720	#BN8720
x 2-1/2"	#GN725	#BN725	#BN8725
x 3"	#GN730	#BN730	#BN8730
x 3-1/2"	#GN735	#BN735	#BN8735
x 4"	#GN740	#BN740	#BN8740
x 4-1/2"	#GN745	#BN745	#BN8745
x 5"	#GN750	#BN750	#BN8750
x 5-1/2"	#GN755	#BN755	#BN8755
x 6"	#GN760	#BN760	#BN8760
x 8"	#GN780	#BN780	#BN8780
x 10"	#GN710	#BN710	#BN8710
x 12"	#GN712	#BN712	#BN8712
x 18"	#GNL718	#BNL718	#BN8L718
x 24"	#GNL724	#BNL724	#BN8L724
x 30"	#GNL730	#BNL730	#BN8L730
x 36"	#GNL736	#BNL736	#BN8L736
x 48"	#GNL748	#BNL748	*
x 60"	#GNL760	#BNL760	*
x 72"	#GNL772	#BNL772	*

	<u>GALV. SCH. 40</u>	<u>BLACK SCH. 40</u>	<u>BLACK SCH. 80</u>
1" x CLOSE	#GN10CL	#BN10CL	#BN810CL
x 2"	#GN1020	#BN1020	#BN81020
x 2-1/2"	#GN1025	#BN1025	#BN81025
x 3"	#GN1030	#BN1030	#BN81030
x 3-1/2"	#GN1035	#BN1035	#BN81035
x 4"	#GN1040	#BN1040	#BN81040
x 4-1/2"	#GN1045	#BN1045	#BN81045
x 5"	#GN1050	#BN1050	#BN81050
x 5-1/2"	#GN1055	#BN1055	#BN81055
x 6"	#GN1060	#BN1060	#BN81060
x 8"	#GN1080	#BN1080	#BN81080
x 10"	#GN1010	#BN1010	#BN81010
x 12"	#GN1012	#BN1012	#BN81012
x 18"	#GNL1018	#BNL1018	#BN8L1018
x 24"	#GNL1024	#BNL1024	#BN8L1024
x 30"	#GNL1030	#BNL1030	#BN8L1030
x 36"	#GNL1036	#BNL1036	#BN8L1036
x 48"	#GNL1048	#BNL1048	*
x 60"	#GNL1060	#BNL1060	*
x 72"	#GNL1072	#BNL1072	*

**STEEL NIPPLES
GALVANIZED & BLACK**



	<u>GALV. SCH. 40</u>	<u>BLACK SCH. 40</u>	<u>BLACK SCH. 80</u>
1-1/4" x CLOSE	#GN12CL	#BN12CL	#BN812CL
x 2"	#GN1220	#BN1220	#BN81220
x 2-1/2"	#GN1225	#BN1225	#BN81225
x 3"	#GN1230	#BN1230	#BN81230
x 3-1/2"	#GN1235	#BN1235	#BN81235
x 4"	#GN1240	#BN1240	#BN81240
x 4-1/2"	#GN1245	#BN1245	#BN81245
x 5"	#GN1250	#BN1250	#BN81250
x 5-1/2"	#GN1255	#BN1255	#BN81255
x 6"	#GN1260	#BN1260	#BN81260
x 8"	#GN1280	#BN1280	#BN81280
x 10"	#GN1210	#BN1210	#BN81210
x 12"	#GN1212	#BN1212	#BN81212
x 18"	#GNL1218	#BNL1218	#BN8L1218
x 24"	#GNL1224	#BNL1224	#BN8L1224
x 30"	#GNL1230	#BNL1230	#BN8L1230
x 36"	#GNL1236	#BNL1236	#BN8L1236
x 48"	#GNL1248	#BNL1248	*
x 60"	#GNL1260	#BNL1260	*
x 72"	#GNL1272	#BNL1272	*

	<u>GALV. SCH. 40</u>	<u>BLACK SCH. 40</u>	<u>BLACK SCH. 80</u>
1-1/2" x CLOSE	#GN15CL	#BN15CL	#BN815CL
x 2"	#GN1520	#BN1520	#BN81520
x 2-1/2"	#GN1525	#BN1525	#BN81525
x 3"	#GN1530	#BN1530	#BN81530
x 3-1/2"	#GN1535	#BN1535	#BN81535
x 4"	#GN1540	#BN1540	#BN81540
x 4-1/2"	#GN1545	#BN1545	#BN81545
x 5"	#GN1550	#BN1550	#BN81550
x 5-1/2"	#GN1555	#BN1555	#BN81555
x 6"	#GN1560	#BN1560	#BN81560
x 8"	#GN1580	#BN1580	#BN81580
x 10"	#GN1510	#BN1510	#BN81510
x 12"	#GN1512	#BN1512	#BN81512
x 18"	#GNL1518	#BNL1518	#BN8L1518
x 24"	#GNL1524	#BNL1524	#BN8L1524
x 30"	#GNL1530	#BNL1530	#BN8L1530
x 36"	#GNL1536	#BNL1536	#BN8L1536
x 48"	#GNL1548	#BNL1548	*
x 60"	#GNL1560	#BNL1560	*
x 72"	#GNL1572	#BNL1572	*

* = AVAILABLE

**STEEL NIPPLES
GALVANIZED & BLACK**



		<u>GALV. SCH. 40</u>	<u>BLACK SCH. 40</u>	<u>BLACK SCH. 80</u>
2"	x CLOSE	#GN20CL	#BN20CL	#BN820CL
	x 2-1/2"	#GN2025	#BN2025	#BN82025
	x 3"	#GN2030	#BN2030	#BN82030
	x 3-1/2"	#GN2035	#BN2035	#BN82035
	x 4"	#GN2040	#BN2040	#BN82040
	x 4-1/2"	#GN2045	#BN2045	#BN82045
	x 5"	#GN2050	#BN2050	#BN82050
	x 5-1/2"	#GN2055	#BN2055	#BN82055
	x 6"	#GN2060	#BN2060	#BN82060
	x 8"	#GN2080	#BN2080	#BN82080
	x 10"	#GN2010	#BN2010	#BN82010
	x 12"	#GN2012	#BN2012	#BN82012
	x 18"	#GNL2018	#BNL2018	#BN8L2018
	x 24"	#GNL2024	#BNL2024	#BN8L2024
	x 30"	#GNL2030	#BNL2030	#BN8L2030
	x 36"	#GNL2036	#BNL2036	#BN8L2036
	x 48"	#GNL2048	#BNL2048	*
	x 60"	#GNL2060	#BNL2060	*
	x 72"	#GNL2072	#BNL2072	*

		<u>GALV. SCH. 40</u>	<u>BLACK SCH. 40</u>	<u>BLACK SCH. 80</u>
2-1/2"	x CLOSE	#GN25CL	#BN25CL	#BN825CL
	x 3"	#GN2530	#BN2530	*
	x 4"	#GN2540	#BN2540	#BN82540
	x 5"	#GN2550	#BN2550	*
	x 6"	#GN2560	#BN2560	#BN82560
	x 8"	#GN2580	#BN2580	*
	x 10"	#GN2510	#BN2510	*
	x 12"	#GN2512	#BN2512	*
	x 18"	#GNL2518	#BNL2518	*
	x 24"	#GNL2524	#BNL2524	*
	x 30"	#GNL2530	#BNL2530	*
	x 36"	#GNL2536	#BNL2536	*
	x 48"	#GNL2548	#BNL2548	*
	x 60"	#GNL2560	#BNL2560	*

**PIPE JOINT
SEALANTS**

SEE PAGES
225 & 226



**STEEL NIPPLES
GALVANIZED & BLACK**



		<u>GALV. SCH. 40</u>	<u>BLACK SCH. 40</u>	<u>BLACK SCH. 80</u>
3"	x CLOSE	#GN30CL	#BN30CL	#BN830CL
	x 3"	#GN3030	#BN3030	*
	x 4"	#GN3040	#BN3040	#BN83040
	x 5"	#GN3050	#BN3050	*
	x 6"	#GN3060	#BN3060	#BN83060
	x 8"	#GN3080	#BN3080	*
	x 10"	#GN3010	#BN3010	*
	x 12"	#GN3012	#BN3012	*
	x 18"	#GNL3018	#BNL3018	*
	x 24"	#GNL3024	#BNL3024	*
	x 30"	#GNL3030	#BNL3030	*
	x 36"	#GNL3036	#BNL3036	*
	x 48"	#GNL3048	#BNL3048	*
	x 60"	#GNL3060	#BNL3060	*

		<u>GALV. SCH. 40</u>	<u>BLACK SCH. 40</u>	<u>BLACK SCH. 80</u>
4"	x CLOSE	#GN40CL	#BN40CL	#BN840CL
	x 4"	#GN4040	#BN4040	#BN84040
	x 5"	#GN4050	#BN4050	*
	x 6"	#GN4060	#BN4060	#BN84060
	x 8"	#GN4080	#BN4080	*
	x 10"	#GN4010	#BN4010	*
	x 12"	#GN4012	#BN4012	*
	x 18"	#GNL4018	#BNL4018	*
	x 24"	#GNL4024	#BNL4024	*
	x 30"	#GNL4030	#BNL4030	*
	x 36"	#GNL4036	#BNL4036	*
	x 48"	#GNL4048	#BNL4048	*
	x 60"	#GNL4060	#BNL4060	*

		<u>GALV. SCH. 40</u>	<u>BLACK SCH. 40</u>	<u>BLACK SCH. 80</u>
6"	x CLOSE	#GN60CL	#BN60CL	*
	x 6"	#GN6060	#BN6060	*
	x 8"	#GN6080	#BN6080	*
	x 10"	#GN6010	#BN6010	*
	x 12"	#GN6012	#BN6012	*

*AVAILABLE

NIPPLE ASSORTMENT PACK

CLOSE THRU 6" LONG NIPPLES



<u>GALV.</u>	<u>PCS.</u>	
1/2"	66	#GNP1
3/4"	66	#GNP2
1"	40	#GNP3

<u>BLACK</u>	<u>PCS.</u>	
1/2"	66	#BNP1
3/4"	66	#BNP2
1"	40	#BNP3

<u>BRASS</u>	<u>PCS.</u>	
1/2"	66	#BRNP5
3/4"	66	#BRNP7
1"	40	#BRNP10

NIPPLE CADDY

METAL



COMBO:
1/2" & 3/4" #3091

1/2"	#3080
3/4"	#3081
1"	#3082
1-1/4"	#3083
1-1/2"	#3084
2"	#3085

RIGHT & LEFT NIPPLE GALVANIZED & BLACK

(NATURAL GAS APPLICATIONS)

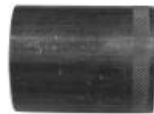


4" LONG

	<u>GALV.</u>	<u>BLACK</u>
1/2"	#GRLN5	#BRLN5
3/4"	#GRLN7	#BRLN7
1"	#GRLN10	#BRLN10
1-1/4"	#GRLN12	#BRLN12
1-1/2"	#GRLN15	#BRLN15
2"	#GRLN20	#BRLN20

RIGHT & LEFT COUPLING GALVANIZED & BLACK

(NATURAL GAS APPLICATIONS)



	<u>GALV.</u>	<u>BLACK</u>
1/2"	#GRLCO5	#BRLCO5
3/4"	#GRLCO7	#BRLCO7
1"	#GRLCO10	#BRLCO10
1-1/4"	#GRLCO12	#BRLCO12
1-1/2"	#GRLCO15	#BRLCO15
2"	#GRLCO20	#BRLCO20

STEEL HEX NIPPLE

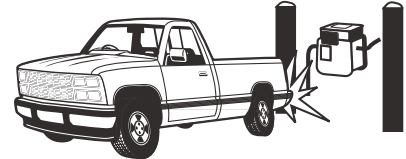


3000#

1/8"	#FSHN1
1/4"	#FSHN2
3/8"	#FSHN3
1/2"	#FSHN5
3/4"	#FSHN7
1"	#FSHN10

BUMPER/CRASH POST (BOLLARD)

BLACK STEEL PIPE



3" x 5' LONG	#POS4
3" x 6' LONG	#POS5

4" x 5' LONG	#POS8
4" x 6' LONG	#POS9

6" x 5' LONG	#POS12
6" x 6' LONG	#POS13

OTHER SIZES & LENGTHS AVAILABLE

SWAGED NIPPLE (REDUCING)



- GALVANIZED OR BLACK
- SCH. 40 OR SCH. 80
- AVAILABLE IN REDUCING SIZES FROM 1/4" to 8"

BRASS PIPE



SCHEDULE 40

20' LENGTHS
(AVAILABLE IN 5' & 10' LENGTHS)

1/4"	#BRP42
3/8"	#BRP43
1/2"	#BRP45
3/4"	#BRP47
1"	#BRP410
1-1/4"	#BRP412
1-1/2"	#BRP415
2"	#BRP420

BRASS FITTINGS 125#

45°



1/8"	#BR41
1/4"	#BR42
3/8"	#BR43
1/2"	#BR45
3/4"	#BR47
1"	#BR410
1-1/4"	#BR412
1-1/2"	#BR415
2"	#BR420
2-1/2"	#BR425
3"	#BR430

STREET
45°



1/8"	#BRS41
1/4"	#BRS42
3/8"	#BRS43
1/2"	#BRS45
3/4"	#BRS47
1"	#BRS410
1-1/4"	#BRS412
1-1/2"	#BRS415
2"	#BRS420

BRASS FITTINGS 125#



90°

1/8"	#BR91
1/4"	#BR92
3/8"	#BR93
1/2"	#BR95
3/4"	#BR97
1"	#BR910
1-1/4"	#BR912
1-1/2"	#BR915
2"	#BR920
2-1/2"	#BR925
3"	#BR930
4"	#BR940



REDUCING
90°

3/4" x 1/2"	#BR975
1" x 1/2"	#BR9105
1" x 3/4"	#BR9107



STREET
90°

1/8"	#BRS91
1/4"	#BRS92
3/8"	#BRS93
1/2"	#BRS95
3/4"	#BRS97
1"	#BRS910
1-1/4"	#BRS912
1-1/2"	#BRS915
2"	#BRS920
2-1/2"	#BRS925
3"	#BRS930

BRASS FITTINGS 125#



TEE

1/8"	#BRT1
1/4"	#BRT2
3/8"	#BRT3
1/2"	#BRT5
3/4"	#BRT7
1"	#BRT10
1-1/4"	#BRT12
1-1/2"	#BRT15
2"	#BRT20
2-1/2"	#BRT25
3"	#BRT30
4"	#BRT40



REDUCING
TEE

1/2" x 1/4"	#BRT52
1/2" x 3/8"	#BRT53
3/4" x 1/2"	#BRT75
1" x 1/2"	#BRT105
1" x 3/4"	#BRT107



UNION

1/8"	#BRU1
1/4"	#BRU2
3/8"	#BRU3
1/2"	#BRU5
3/4"	#BRU7
1"	#BRU10
1-1/4"	#BRU12
1-1/2"	#BRU15
2"	#BRU20
2-1/2"	#BRU25
3"	#BRU30
4"	#BRU40

BRASS FITTINGS 125#

COUPLING



1/8"	#BRCO1
1/4"	#BRCO2
3/8"	#BRCO3
1/2"	#BRCO5
3/4"	#BRCO7
1"	#BRCO10
1-1/4"	#BRCO12
1-1/2"	#BRCO15
2"	#BRCO20
2-1/2"	#BRCO25
3"	#BRCO30
4"	#BRCO40

REDUCING COUPLING



1/4"	x	1/8"	#BRCO21
3/8"	x	1/8"	#BRCO31
3/8"	x	1/4"	#BRCO32
1/2"	x	1/8"	#BRCO51
1/2"	x	1/4"	#BRCO52
1/2"	x	3/8"	#BRCO53
3/4"	x	1/8"	#BRCO71
3/4"	x	1/4"	#BRCO72
3/4"	x	3/8"	#BRCO73
3/4"	x	1/2"	#BRCO75
1"	x	1/4"	#BRCO102
1"	x	3/8"	#BRCO103
1"	x	1/2"	#BRCO105
1"	x	3/4"	#BRCO107
1-1/4"	x	1/2"	#BRCO125
1-1/4"	x	3/4"	#BRCO127
1-1/4"	x	1"	#BRCO1210
1-1/2"	x	1/2"	#BRCO155
1-1/2"	x	3/4"	#BRCO157
1-1/2"	x	1"	#BRCO1510
1-1/2"	x	1-1/4"	#BRCO1512
2"	x	1/2"	#BRCO205
2"	x	3/4"	#BRCO207
2"	x	1"	#BRCO2010
2"	x	1-1/4"	#BRCO2012
2"	x	1-1/2"	#BRCO2015
2-1/2"	x	2"	#BRCO2520
3"	x	2"	#BRCO3020
3"	x	2-1/2"	#BRCO3025
4"	x	3"	#BRCO4030

BRASS FITTINGS 125#



BUSHING

1/4"	x	1/8"	#BRB21
3/8"	x	1/8"	#BRB31
3/8"	x	1/4"	#BRB32
1/2"	x	1/8"	#BRB51
1/2"	x	1/4"	#BRB52
1/2"	x	3/8"	#BRB53
3/4"	x	1/8"	#BRB71
3/4"	x	1/4"	#BRB72
3/4"	x	3/8"	#BRB73
3/4"	x	1/2"	#BRB75
1"	x	1/4"	#BRB102
1"	x	3/8"	#BRB103
1"	x	1/2"	#BRB105
1"	x	3/4"	#BRB107
1-1/4"	x	1/2"	#BRB125
1-1/4"	x	3/4"	#BRB127
1-1/4"	x	1"	#BRB1210
1-1/2"	x	1/2"	#BRB155
1-1/2"	x	3/4"	#BRB157
1-1/2"	x	1"	#BRB1510
1-1/2"	x	1-1/4"	#BRB1512
2"	x	1/2"	#BRB205
2"	x	3/4"	#BRB207
2"	x	1"	#BRB2010
2"	x	1-1/4"	#BRB2012
2"	x	1-1/2"	#BRB2015
2-1/2"	x	1-1/2"	#BRB2515
2-1/2"	x	2"	#BRB2520
3"	x	1-1/2"	#BRB3015
3"	x	2"	#BRB3020
3"	x	2-1/2"	#BRB3025
4"	x	2"	#BRB4020
4"	x	2-1/2"	#BRB4025
4"	x	3"	#BRB4030



COMPANION FLANGE

1/2"	#BRCF5
3/4"	#BRCF7
1"	#BRCF10
1-1/4"	#BRCF12
1-1/2"	#BRCF15
2"	#BRCF20
2-1/2"	#BRCF25
3"	#BRCF30
4"	#BRCF40

BRASS FITTINGS 125#



PLUG

RAISED SQUARE HEAD

1/8"	#BRP1
1/4"	#BRP2
3/8"	#BRP3
1/2"	#BRP5
3/4"	#BRP7
1"	#BRP10
1-1/4"	#BRP12
1-1/2"	#BRP15
2"	#BRP20
2-1/2"	#BRP25
3"	#BRP30
4"	#BRP40



PLUG

COUNTER SUNK

1/8"	#BRPC1
1/4"	#BRPC2
3/8"	#BRPC3
1/2"	#BRPC5
3/4"	#BRPC7



CAP

1/8"	#BRCA1
1/4"	#BRCA2
3/8"	#BRCA3
1/2"	#BRCA5
3/4"	#BRCA7
1"	#BRCA10
1-1/4"	#BRCA12
1-1/2"	#BRCA15
2"	#BRCA20
2-1/2"	#BRCA25
3"	#BRCA30



CAN'T FIND IT? GIVE US A CALL

(714) 241-7050

BRASS FITTINGS 125#

CROSS



1/8"	#BRCR1
1/4"	#BRCR2
3/8"	#BRCR3
1/2"	#BRCR5
3/4"	#BRCR7
1"	#BRCR10
1-1/4"	#BRCR12
1-1/2"	#BRCR15
2"	#BRCR20

LOCKNUT



1/8"	#BRL1
1/4"	#BRL2
3/8"	#BRL3
1/2"	#BRL5
3/4"	#BRL7
1"	#BRL10
1-1/4"	#BRL12
1-1/2"	#BRL15
2"	#BRL20

BRASS BULKHEAD FITTING (TANK ADAPTER)



1/8"	#BRTA1
1/4"	#BRTA2
3/8"	#BRTA3
1/2"	#BRTA5

BRASS BAR STOCK FITTINGS

45°



1/8"	#BBS41
1/4"	#BBS42

BRASS BAR STOCK FITTINGS



90°

1/8"	#BBS91
1/4"	#BBS92
3/8"	#BBS93
1/2"	#BBS95
3/4"	#BBS97



STREET 90°

1/8"	#BBSS91
1/4"	#BBSS92
3/8"	#BBSS93
1/2"	#BBSS95
3/4"	#BBSS97



TEE

1/8"	#BBST1
1/4"	#BBST2
3/8"	#BBST3
1/2"	#BBST5
3/4"	#BBST7



CROSS

1/8"	#BBSCR1
1/4"	#BBSCR2
3/8"	#BBSCR3
1/2"	#BBSCR5
3/4"	#BBSCR7



UNION

1/8"	#BBSU1
1/4"	#BBSU2
3/8"	#BBSU3
1/2"	#BBSU5
3/4"	#BBSU7

BRASS BAR STOCK FITTINGS



COUPLING

1/8"	#BBSCO1
1/4"	#BBSCO2
3/8"	#BBSCO3
1/2"	#BBSCO5
3/4"	#BBSCO7



REDUCING COUPLING

1/4" x 1/8"	#BBSCO21
3/8" x 1/8"	#BBSCO31
3/8" x 1/4"	#BBSCO32
1/2" x 1/8"	#BBSCO51
1/2" x 1/4"	#BBSCO52
1/2" x 3/8"	#BBSCO53
3/4" x 1/2"	#BBSCO75



PIPE ADAPTOR

<u>FIP</u>	<u>MIP</u>	
1/8" x 1/8"		#BBSA1
1/4" x 1/8"		#BBSA21
1/4" x 1/4"		#BBSA2
3/8" x 1/8"		#BBSA31
3/8" x 1/4"		#BBSA32
3/8" x 3/8"		#BBSA3
1/2" x 1/4"		#BBSA52
1/2" x 3/8"		#BBSA53
1/2" x 1/2"		#BBSA5
3/4" x 1/2"		#BBSA75
3/4" x 3/4"		#BBSA7

CHROME PLATED BRASS NIPPLES



<u>1/2"</u>	x	CLOSE	#CHPN5CL
	x	1-1/2"	#CHPN515
	x	2"	#CHPN520
	x	2-1/2"	#CHPN525
	x	3"	#CHPN530
	x	4"	#CHPN540
	x	5"	#CHPN550
	x	6"	#CHPN560

<u>3/4"</u>	x	CLOSE	#CHPN7CL
	x	1-1/2"	#CHPN715
	x	2"	#CHPN720
	x	2-1/2"	#CHPN725
	x	3"	#CHPN730
	x	4"	#CHPN740
	x	5"	#CHPN750
	x	6"	#CHPN760

<u>1"</u>	x	CLOSE	#CHPN10CL
	x	2"	#CHPN1020
	x	2-1/2"	#CHPN1025
	x	3"	#CHPN1030
	x	4"	#CHPN1040
	x	5"	#CHPN1050
	x	6"	#CHPN1060

OTHER SIZES AVAILABLE

CHROME PLATED BRASS FITTINGS

COUPLING



1/2"	#CHPCO5
3/4"	#CHPCO7
1"	#CHPCO10

UNION



1/2"	#CHPU5
3/4"	#CHPU7
1"	#CHPU10

OTHER SIZES AVAILABLE

CHROME PLATED BRASS FITTINGS



90°

1/2"	#CHP95
3/4"	#CHP97
1"	#CHP910

OTHER SIZES AVAILABLE



STREET
90°

1/2"	#CHPS95
3/4"	#CHPS97
1"	#CHPS910



45°

1/2"	#CHP45
3/4"	#CHP47
1"	#CHP410



TEE

1/2"	#CHPT5
3/4"	#CHPT7
1"	#CHPT10

BRASS HEX NIPPLE



1/8"	#BRHN1
1/4"	#BRHN2
3/8"	#BRHN3
1/2"	#BRHN5
3/4"	#BRHN7
1"	#BRHN10

REDUCING:

1/4" x 1/8"	#BRHN21
3/8" x 1/8"	#BRHN31
3/8" x 1/4"	#BRHN32
1/2" x 1/4"	#BRHN52
1/2" x 3/8"	#BRHN53
3/4" x 1/2"	#BRHN75

BRASS NIPPLES



<u>1/8"</u>	x	CLOSE	#BRN1CL
	x	1-1/2"	#BRN115
	x	2"	#BRN120
	x	2-1/2"	#BRN125
	x	3"	#BRN130
	x	3-1/2"	#BRN135
	x	4"	#BRN140
	x	4-1/2"	#BRN145
	x	5"	#BRN150
	x	5-1/2"	#BRN155
	x	6"	#BRN160
	x	8"	#BRN180
	x	10"	#BRN110
	x	12"	#BRN112
	x	18"	#BRNL118
	x	24"	#BRNL124
	x	30"	#BRNL130
	x	36"	#BRNL136

<u>1/4"</u>	x	CLOSE	#BRN2CL
	x	1-1/2"	#BRN215
	x	2"	#BRN220
	x	2-1/2"	#BRN225
	x	3"	#BRN230
	x	3-1/2"	#BRN235
	x	4"	#BRN240
	x	4-1/2"	#BRN245
	x	5"	#BRN250
	x	5-1/2"	#BRN255
	x	6"	#BRN260
	x	8"	#BRN280
	x	10"	#BRN210
	x	12"	#BRN212
	x	18"	#BRNL218
	x	24"	#BRNL224
	x	30"	#BRNL230
	x	36"	#BRNL236

BRASS NIPPLES



3/8"	x	CLOSE	#BRN3CL
	x	1-1/2"	#BRN315
	x	2"	#BRN320
	x	2-1/2"	#BRN325
	x	3"	#BRN330
	x	3-1/2"	#BRN335
	x	4"	#BRN340
	x	4-1/2"	#BRN345
	x	5"	#BRN350
	x	5-1/2"	#BRN355
	x	6"	#BRN360
	x	8"	#BRN380
	x	10"	#BRN310
	x	12"	#BRN312
	x	18"	#BRNL318
	x	24"	#BRNL324
	x	30"	#BRNL330
	x	36"	#BRNL336

1/2"	x	CLOSE	#BRN5CL
	x	1-1/2"	#BRN515
	x	2"	#BRN520
	x	2-1/2"	#BRN525
	x	3"	#BRN530
	x	3-1/2"	#BRN535
	x	4"	#BRN540
	x	4-1/2"	#BRN545
	x	5"	#BRN550
	x	5-1/2"	#BRN555
	x	6"	#BRN560
	x	8"	#BRN580
	x	10"	#BRN510
	x	12"	#BRN512
	x	18"	#BRNL518
	x	24"	#BRNL524
	x	30"	#BRNL530
	x	36"	#BRNL536

3/4"	x	CLOSE	#BRN7CL
	x	1-1/2"	#BRN715
	x	2"	#BRN720
	x	2-1/2"	#BRN725
	x	3"	#BRN730
	x	3-1/2"	#BRN735
	x	4"	#BRN740
	x	4-1/2"	#BRN745
	x	5"	#BRN750
	x	5-1/2"	#BRN755
	x	6"	#BRN760
	x	8"	#BRN780
	x	10"	#BRN710
	x	12"	#BRN712
	x	18"	#BRNL718
	x	24"	#BRNL724
	x	30"	#BRNL730
	x	36"	#BRNL736

BRASS NIPPLES



1"	x	CLOSE	#BRN10CL
	x	2"	#BRN1020
	x	2-1/2"	#BRN1025
	x	3"	#BRN1030
	x	3-1/2"	#BRN1035
	x	4"	#BRN1040
	x	4-1/2"	#BRN1045
	x	5"	#BRN1050
	x	5-1/2"	#BRN1055
	x	6"	#BRN1060
	x	8"	#BRN1080
	x	10"	#BRN1010
	x	12"	#BRN1012
	x	18"	#BRNL1018
	x	24"	#BRNL1024
	x	30"	#BRNL1030
	x	36"	#BRNL1036

1-1/4"	x	CLOSE	#BRN12CL
	x	2"	#BRN1220
	x	2-1/2"	#BRN1225
	x	3"	#BRN1230
	x	3-1/2"	#BRN1235
	x	4"	#BRN1240
	x	4-1/2"	#BRN1245
	x	5"	#BRN1250
	x	5-1/2"	#BRN1255
	x	6"	#BRN1260
	x	8"	#BRN1280
	x	10"	#BRN1210
	x	12"	#BRN1212
	x	18"	#BRNL1218
	x	24"	#BRNL1224
	x	30"	#BRNL1230
	x	36"	#BRNL1236

1-1/2"	x	CLOSE	#BRN15CL
	x	2"	#BRN1520
	x	2-1/2"	#BRN1525
	x	3"	#BRN1530
	x	3-1/2"	#BRN1535
	x	4"	#BRN1540
	x	4-1/2"	#BRN1545
	x	5"	#BRN1550
	x	5-1/2"	#BRN1555
	x	6"	#BRN1560
	x	8"	#BRN1580
	x	10"	#BRN1510
	x	12"	#BRN1512
	x	18"	#BRNL1518
	x	24"	#BRNL1524
	x	30"	#BRNL1530
	x	36"	#BRNL1536

BRASS NIPPLES



2"	x	CLOSE	#BRN20CL
	x	2-1/2"	#BRN2025
	x	3"	#BRN2030
	x	3-1/2"	#BRN2035
	x	4"	#BRN2040
	x	4-1/2"	#BRN2045
	x	5"	#BRN2050
	x	5-1/2"	#BRN2055
	x	6"	#BRN2060
	x	8"	#BRN2080
	x	10"	#BRN2010
	x	12"	#BRN2012
	x	18"	#BRNL2018
	x	24"	#BRNL2024
	x	30"	#BRNL2030
	x	36"	#BRNL2036

2-1/2"	x	CLOSE	#BRN25CL
	x	3"	#BRN2530
	x	4"	#BRN2540
	x	5"	#BRN2550
	x	6"	#BRN2560
	x	8"	#BRN2580
	x	10"	#BRN2510
	x	12"	#BRN2512

3"	x	CLOSE	#BRN30CL
	x	3"	#BRN3030
	x	4"	#BRN3040
	x	5"	#BRN3050
	x	6"	#BRN3060
	x	8"	#BRN3080
	x	10"	#BRN3010
	x	12"	#BRN3012

4"	x	CLOSE	#BRN40CL
	x	4"	#BRN4040
	x	5"	#BRN4050
	x	6"	#BRN4060
	x	8"	#BRN4080
	x	10"	#BRN4010
	x	12"	#BRN4012



BRASS NIPPLE ASSORTMENT PACK

1/2" 66 PCS. #BRNP5
 3/4" 66 PCS. #BRNP7

REFRIGERATION TUBING



O.D.	50' COIL
1/8"	#CR1
3/16"	#CR316
1/4"	#CR2
5/16"	#CR516
3/8"	#CR3
1/2"	#CR5
5/8"	#CR58
3/4"	#CR7

(1/4" x 25': #2059-25)

SOFT COPPER TUBING

60' COIL

TYPE "L" SOFT:

1/2"	#CLS5
3/4"	#CLS7
1"	#CLS10
1-1/4"	#CLS12
1-1/2"	#CLS15
2"	#CLS20

TYPE "K" SOFT:

1/2"	#CKS5
3/4"	#CKS7
1"	#CKS10

TUBING CUTTERS



SEE PAGE 45

COVER TUBING

CHROME PLATED



SEE PAGE 220

COPPER TUBING



20' LENGTHS

**TYPE "L" HARD
(STANDARD WALL)**

TYPE "L" AVAILABLE IN
5' & 10' LENGTHS

1/8"	#CL1
1/4"	#CL2
3/8"	#CL3
1/2"	#CL5
3/4"	#CL7
1"	#CL10
1-1/4"	#CL12
1-1/2"	#CL15
2"	#CL20
2-1/2"	#CL25
3"	#CL30
4"	#CL40
5"	#CL50
6"	#CL60

**TYPE "M" HARD
(THIN WALL)**

1/2"	#CMH5
3/4"	#CMH7
1"	#CMH10
1-1/4"	#CMH12
1-1/2"	#CMH15
2"	#CMH20
2-1/2"	#CMH25
3"	#CMH30
4"	#CMH40

**TYPE "K" HARD
(HEAVY WALL)**

1/2"	#CK5
3/4"	#CK7
1"	#CK10
1-1/4"	#CK12
1-1/2"	#CK15
2"	#CK20
2-1/2"	#CK25
3"	#CK30
4"	#CK40

TUBING DIMENSIONS

(TYPE M, L & K)

SIZE	O.D.	WALL THICKNESS		
		"M"	"L"	"K"
1/8"	1/4"	-	.025	-
1/4"	3/8"	-	.030	.035
3/8"	1/2"	-	.035	.049
1/2"	5/8"	.028	.040	.049
3/4"	7/8"	.032	.045	.065
1"	1-1/8"	.035	.050	.065
1-1/4"	1-3/8"	.042	.055	.065
1-1/2"	1-5/8"	.049	.060	.072
2"	2-1/8"	.058	.070	.083
2-1/2"	2-5/8"	.065	.080	.095
3"	3-1/8"	.072	.090	.109
4"	4-1/8"	.095	.110	.134
5"	5-1/8"	.109	.125	.160
6"	6-1/8"	.122	.140	.192

**COPPER
"ACR" TUBING**

O.D.

3/8"	#CACR3
1/2"	#CACR5
5/8" (1/2" NOM.)	#CACR58
3/4"	#CACR7
7/8" (3/4" NOM.)	#CACR78
1-1/8" (1" NOM.)	#CACR118

**COPPER
"DWV" TUBING**

(DRAIN, WASTE & VENT)

1-1/2"	#CDWV15
2"	#CDWV20

**COPPER
TYPE "K" HARD
CAPPED & CLEANED**

1/2"	#CKCC5
3/4"	#CKCC7
1"	#CKCC10

COPPER FITTINGS

**STREET
90°**



- 1/8" #CS91
- 1/4" #CS92
- 3/8" #CS93
- 1/2" #CS95
- 3/4" #CS97
- 1" #CS910
- 1-1/4" #CS912
- 1-1/2" #CS915
- 2" #CS920
- 2-1/2" #CS925
- 3" #CS930
- 4" #CS940

**90°
C x C
DROP EAR**



- 1/2" #C9D5
- 3/4" #C9D7

**90°
C x FIP
DROP EAR**



- 1/2" #C9FD5
- 3/4" #C9FD7

**90°
C x C
HI-EAR**



- 1/2" #C9H5
- 3/4" #C9H7

**90°
C x FIP
HI-EAR**



- 1/2" #C9FH5
- 3/4" #C9FH7

COPPER FITTINGS



90°

- 1/8" #C91
- 1/4" #C92
- 3/8" #C93
- 1/2" #C95
- 3/4" #C97
- 1" #C910
- 1-1/4" #C912
- 1-1/2" #C915
- 2" #C920
- 2-1/2" #C925
- 3" #C930
- 4" #C940
- 5" #C950
- 6" #C960

**REDUCING
90°**



- 3/4" x 1/2" #C975
- 1" x 1/2" #C9105
- 1" x 3/4" #C9107
- 1-1/4" x 1" #C91210
- 1-1/2" x 1-1/4" #C91512
- 2" x 1-1/2" #C92015

**90°
LONG
SWEEP**



- 1/2" #C9L5
- 3/4" #C9L7
- 1" #C9L10
- 1-1/4" #C9L12
- 1-1/2" #C9L15
- 2" #C9L20

COPPER FITTINGS



**90°
C x MIP**

- 1/2" #C9M5
- 3/4" #C9M7
- 1" #C9M10
- 1-1/4" #C9M12
- 1-1/2" #C9M15
- 2" #C9M20



**90°
C x FIP**

- 1/2" #C9F5
- 3/4" #C9F7
- 1" #C9F10
- 1-1/4" #C9F12
- 1-1/2" #C9F15
- 2" #C9F20



**CAN'T
FIND IT?**

**GIVE US
A CALL**

(714) 241-7050

**** WEBSITES ****

- www.nibco.com
- www.muellerindustries.com
- www.elkhartproducts.com

COPPER FITTINGS

45°



1/8"	#C41
1/4"	#C42
3/8"	#C43
1/2"	#C45
3/4"	#C47
1"	#C410
1-1/4"	#C412
1-1/2"	#C415
2"	#C420
2-1/2"	#C425
3"	#C430
4"	#C440
5"	#C450
6"	#C460

STREET
45°



1/4"	#CS42
3/8"	#CS43
1/2"	#CS45
3/4"	#CS47
1"	#CS410
1-1/4"	#CS412
1-1/2"	#CS415
2"	#CS420
2-1/2"	#CS425
3"	#CS430
4"	#CS440

CAP



1/4"	#CCA2
3/8"	#CCA3
1/2"	#CCA5
3/4"	#CCA7
1"	#CCA10
1-1/4"	#CCA12
1-1/2"	#CCA15
2"	#CCA20
2-1/2"	#CCA25
3"	#CCA30
4"	#CCA40

COPPER FITTINGS



COUPLING
WITH
STOP

1/8"	#CCO1
1/4"	#CCO2
3/8"	#CCO3
1/2"	#CCO5
3/4"	#CCO7
1"	#CCO10
1-1/4"	#CCO12
1-1/2"	#CCO15
2"	#CCO20
2-1/2"	#CCO25
3"	#CCO30
4"	#CCO40
5"	#CCO50
6"	#CCO60



REDUCING
COUPLING
C x C

(COPPER TUBE TO COPPER TUBE)

3/8"	x	1/4"	#CCO32
1/2"	x	1/4"	#CCO52
1/2"	x	3/8"	#CCO53
3/4"	x	1/4"	#CCO72
3/4"	x	3/8"	#CCO73
3/4"	x	1/2"	#CCO75
1"	x	1/2"	#CCO105
1"	x	3/4"	#CCO107
1-1/4"	x	1/2"	#CCO125
1-1/4"	x	3/4"	#CCO127
1-1/4"	x	1"	#CCO1210
1-1/2"	x	1/2"	#CCO155
1-1/2"	x	3/4"	#CCO157
1-1/2"	x	1"	#CCO1510
1-1/2"	x	1-1/4"	#CCO1512
2"	x	1/2"	#CCO205
2"	x	3/4"	#CCO207
2"	x	1"	#CCO2010
2"	x	1-1/4"	#CCO2012
2"	x	1-1/2"	#CCO2015
2-1/2"	x	1-1/2"	#CCO2515
2-1/2"	x	2"	#CCO2520
3"	x	1-1/2"	#CCO3015
3"	x	2"	#CCO3020
3"	x	2-1/2"	#CCO3025
4"	x	2"	#CCO4020
4"	x	2-1/2"	#CCO4025
4"	x	3"	#CCO4030

COPPER FITTINGS



REPAIR
COUPLING
NO
STOP

1/2"	#CCOS5
3/4"	#CCOS7
1"	#CCOS10
1-1/4"	#CCOS12
1-1/2"	#CCOS15
2"	#CCOS20
2-1/2"	#CCOS25
3"	#CCOS30
4"	#CCOS40
5"	#CCOS50
6"	#CCOS60

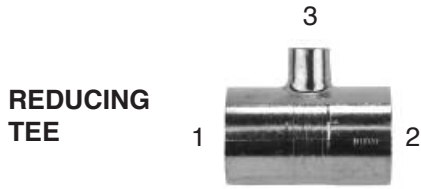


FITTING
REDUCER
FTG. x C

(LARGER SIDE GOES INTO FITTING)

1/4"	x	1/8"	#CFR21
3/8"	x	1/4"	#CFR32
1/2"	x	1/4"	#CFR52
1/2"	x	3/8"	#CFR53
3/4"	x	1/4"	#CFR72
3/4"	x	3/8"	#CFR73
3/4"	x	1/2"	#CFR75
1"	x	1/2"	#CFR105
1"	x	3/4"	#CFR107
1-1/4"	x	1/2"	#CFR125
1-1/4"	x	3/4"	#CFR127
1-1/4"	x	1"	#CFR1210
1-1/2"	x	1/2"	#CFR155
1-1/2"	x	3/4"	#CFR157
1-1/2"	x	1"	#CFR1510
1-1/2"	x	1-1/4"	#CFR1512
2"	x	1/2"	#CFR205
2"	x	3/4"	#CFR207
2"	x	1"	#CFR2010
2"	x	1-1/4"	#CFR2012
2"	x	1-1/2"	#CFR2015
2-1/2"	x	1-1/2"	#CFR2515
2-1/2"	x	2"	#CFR2520
3"	x	1-1/2"	#CFR3015
3"	x	2"	#CFR3020
3"	x	2-1/2"	#CFR3025
4"	x	2"	#CFR4020
4"	x	2-1/2"	#CFR4025
4"	x	3"	#CFR4030
5"	x	4"	#CFR5040
6"	x	3"	#CFR6030
6"	x	4"	#CFR6040

COPPER FITTINGS



<u>1 & 2</u>	x	<u>3</u>	
1/2"	x	3/4"	#CT57
3/4"	x	1/2"	#CT75
3/4"	x	1"	#CT710
1"	x	1/2"	#CT105
1"	x	3/4"	#CT107
1-1/4"	x	1/2"	#CT125
1-1/4"	x	3/4"	#CT127
1-1/4"	x	1"	#CT1210
1-1/2"	x	1/2"	#CT155
1-1/2"	x	3/4"	#CT157
1-1/2"	x	1"	#CT1510
1-1/2"	x	1-1/4"	#CT1512
2"	x	1/2"	#CT205
2"	x	3/4"	#CT207
2"	x	1"	#CT2010
2"	x	1-1/4"	#CT2012
2"	x	1-1/2"	#CT2015
2-1/2"	x	3/4"	#CT257
2-1/2"	x	1"	#CT2510
2-1/2"	x	1-1/4"	#CT2512
2-1/2"	x	1-1/2"	#CT2515
2-1/2"	x	2"	#CT2520
3"	x	3/4"	#CT307
3"	x	1"	#CT3010
3"	x	1-1/4"	#CT3012
3"	x	1-1/2"	#CT3015
3"	x	2"	#CT3020
3"	x	2-1/2"	#CT3025
4"	x	1"	#CT4010
4"	x	1-1/4"	#CT4012
4"	x	1-1/2"	#CT4015
4"	x	2"	#CT4020
4"	x	2-1/2"	#CT4025
4"	x	3"	#CT4030

COPPER FITTINGS



<u>1</u>	x	<u>2</u>	x	<u>3</u>	
3/4	x	1/2	x	1/2	CT755
3/4	x	1/2	x	3/4	CT757
1	x	1/2	x	1/2	CT1055
1	x	1/2	x	3/4	CT1057
1	x	1/2	x	1	CT10510
1	x	3/4	x	1/2	CT1075
1	x	3/4	x	3/4	CT1077
1	x	3/4	x	1	CT10710
1-1/4	x	3/4	x	3/4	CT1277
1-1/4	x	3/4	x	1	CT12710
1-1/4	x	3/4	x	1-1/4	CT12712
1-1/4	x	1	x	3/4	CT12107
1-1/4	x	1	x	1	CT121010
1-1/4	x	1	x	1-1/4	CT121012
1-1/2	x	3/4	x	1	CT15710
1-1/2	x	3/4	x	1-1/4	CT15712
1-1/2	x	3/4	x	1-1/2	CT15715
1-1/2	x	1	x	3/4	CT15107
1-1/2	x	1	x	1	CT151010
1-1/2	x	1	x	1-1/4	CT151012
1-1/2	x	1	x	1-1/2	CT151015
1-1/2	x	1-1/4	x	3/4	CT15127
1-1/2	x	1-1/4	x	1	CT151210
1-1/2	x	1-1/4	x	1-1/4	CT151212
1-1/2	x	1-1/4	x	1-1/2	CT151215
2	x	3/4	x	2	CT20720
2	x	1	x	2	CT201020
2	x	1-1/4	x	3/4	CT20127
2	x	1-1/4	x	1	CT201210
2	x	1-1/4	x	1-1/4	CT201212
2	x	1-1/4	x	1-1/2	CT201215
2	x	1-1/4	x	2	CT201220
2	x	1-1/2	x	3/4	CT20157
2	x	1-1/2	x	1	CT201510
2	x	1-1/2	x	1-1/4	CT201512
2	x	1-1/2	x	1-1/2	CT201515
2	x	1-1/2	x	2	CT201520
2-1/2	x	3/4	x	2-1/2	CT25725
2-1/2	x	1-1/2	x	1-1/2	CT251515
2-1/2	x	2	x	1-1/2	CT252015
2-1/2	x	2	x	2	CT252020
2-1/2	x	2	x	2-1/2	CT252025

COPPER FITTINGS



<u>1</u>	x	<u>2</u>	x	<u>3</u>	
3	x	3/4	x	3	CT30730
3	x	1-1/2	x	3	CT301530
3	x	2	x	2	CT302020
3	x	2	x	2-1/2	CT302025
3	x	2	x	3	CT302030
3	x	2-1/2	x	2	CT302520
3	x	2-1/2	x	2-1/2	CT302525
3	x	2-1/2	x	3	CT302530
4	x	2-1/2	x	4	CT402540
4	x	3	x	2	CT403020
4	x	3	x	2-1/2	CT403025
4	x	3	x	3	CT403030
4	x	3	x	4	CT403040



TEE

1/8"	#CT1
1/4"	#CT2
3/8"	#CT3
1/2"	#CT5
3/4"	#CT7
1"	#CT10
1-1/4"	#CT12
1-1/2"	#CT15
2"	#CT20
2-1/2"	#CT25
3"	#CT30
4"	#CT40
5"	#CT50
6"	#CT60

COPPER ACCESSORIES AND TOOLS




SEE PAGES 42-45

CONTINUED

COPPER FITTINGS


TEE
C x C x FIP



1/2"	#CTF5
3/4"	#CTF7
1"	#CTF10

1/2" x 1/4"	#CTF52
1/2" x 3/8"	#CTF53
3/4" x 1/2"	#CTF75
1" x 1/2"	#CTF105
1" x 3/4"	#CTF107

TEE
C x C x FIP
DROP EAR



1/2"	#CTFD5
3/4"	#CTFD7

STREET TEE
C x FTG x C



1/2"	#CST5
3/4"	#CST7

RAGS


WHITE COTTON
12 PACK



14" x 17"	#TCRAGS
-----------	---------


COPPER FITTINGS

UNION
C x C




1/4"	#CU2
3/8"	#CU3
1/2"	#CU5
3/4"	#CU7
1"	#CU10
1-1/4"	#CU12
1-1/2"	#CU15
2"	#CU20
2-1/2"	#CU25
3"	#CU30

UNION
COPPER x FIP



1/2"	#CUF5
3/4"	#CUF7
1"	#CUF10
1-1/4"	#CUF12
1-1/2"	#CUF15
2"	#CUF20

UNION
COPPER x MIP



1/2"	#CUM5
3/4"	#CUM7
1"	#CUM10
1-1/4"	#CUM12
1-1/2"	#CUM15
2"	#CUM20


HI-EAR HANGER



1/2"	#CHC5
3/4"	#CHC7
1"	#CHC10

COPPER FITTINGS

CROSS




1/2"	#CCR5
3/4"	#CCR7
1"	#CCR10
1-1/4"	#CCR12
1-1/2"	#CCR15
2"	#CCR20

COPPER PLUMBERS TAPE



3/4" x 10'	#CPS7
------------	-------

COPPER TWO HOLE STRAP



FITS

1/8" (1/4" O.D.)	#CS21
1/4" (3/8" O.D.)	#CS22
3/8" (1/2" O.D.)	#CS23
1/2"	#CS25
3/4"	#CS27
1"	#CS210
1-1/4"	#CS212
1-1/2"	#CS215
2"	#CS220


COPPER ONE HOLE STRAP



FITS

1/8" (1/4" O.D.)	#CS11
1/4" (3/8" O.D.)	#CS12
3/8" (1/2" O.D.)	#CS13
1/2" (5/8" O.D.)	#CS15

STUB OUT



1/2" x 8"	#CSO5
-----------	-------

COPPER FITTINGS

FEMALE ADAPTER



(GOES OVER COPPER TUBING)

1/4"	#CF2
3/8"	#CF3
1/2"	#CF5
3/4"	#CF7
1"	#CF10
1-1/4"	#CF12
1-1/2"	#CF15
2"	#CF20
2-1/2"	#CF25
3"	#CF30
4"	#CF40

C	x FIP	
1/2"	x 1/4"	#CF52
1/2"	x 3/8"	#CF53
1/2"	x 3/4"	#CF57
3/4"	x 1/2"	#CF75
3/4"	x 1"	#CF710
1"	x 1/2"	#CF105
1"	x 3/4"	#CF107

OTHER SIZES AVAILABLE

FITTING x FEMALE ADAPTER



(GOES INTO COPPER FITTING)

1/4"	#CFF2
3/8"	#CFF3
1/2"	#CFF5
3/4"	#CFF7
1"	#CFF10
1-1/4"	#CFF12
1-1/2"	#CFF15
2"	#CFF20
2-1/2"	#CFF25
3"	#CFF30

FTG	x FIP	
1/2"	x 1/4"	#CFF52
1/2"	x 1/4" FLUSH	#CFF52F
1/2"	x 3/8"	#CFF53
3/4"	x 1/2"	#CFF75
1"	x 1/2"	#CFF105
1"	x 3/4"	#CFF107

COPPER FITTINGS



MALE ADAPTER

(GOES OVER COPPER TUBING)

1/4"	#CM2
3/8"	#CM3
1/2"	#CM5
3/4"	#CM7
1"	#CM10
1-1/4"	#CM12
1-1/2"	#CM15
2"	#CM20
2-1/2"	#CM25
3"	#CM30
4"	#CM40

C	x MIP	
1/2"	x 1/4"	#CM52
1/2"	x 3/8"	#CM53
1/2"	x 3/4"	#CM57
3/4"	x 1/2"	#CM75
3/4"	x 1"	#CM710
1"	x 1/2"	#CM105
1"	x 3/4"	#CM107

OTHER SIZES AVAILABLE



FITTING x MALE ADAPTER

(GOES INTO COPPER FITTING)

1/4"	#CFM2
3/8"	#CFM3
1/2"	#CFM5
3/4"	#CFM7
1"	#CFM10
1-1/4"	#CFM12
1-1/2"	#CFM15
2"	#CFM20
2-1/2"	#CFM25
3"	#CFM30



COPPER P-TRAP

3/4" #CCPT7

COPPER FITTINGS

COMPANION FLANGE



SWEAT 125# & 150#

125#	
1-1/2"	#CCF15
2"	#CCF20
2-1/2"	#CCF25
3"	#CCF30
4"	#CCF40
5"	#CCF50
6"	#CCF60

150#	
1-1/2"	#CCF515
2"	#CCF520
2-1/2"	#CCF525
3"	#CCF530
4"	#CCF540

THREADED FLANGES
SEE PAGE 30

COPPER FLANGE ADAPTER, DIELECTRIC



FOR USE WHEN GOING FROM AN IRON FLANGE TO COPPER TUBING

DIELECTRIC
LOOSE RING STEEL FLANGE

2"	#CFA20
2-1/2"	#CFA25
3"	#CFA30
4"	#CFA40

GASKET & HARDWARE SOLD SEPARATELY

GASKETS & HARDWARE



PAGES 147-149

**PUSH-LOK FITTINGS
BRONZE**

NO SOLDERING REQUIRED

**PUSH-LOK
90°**



1/2" #CPL95
3/4" #CPL97
1" #CPL910

**PUSH-LOK
90°
DROP EAR**



1/2" TUBE x TUBE #CPL9DE5
1/2" TUBE x FIP #CPL9DEF5

**CAN'T
FIND IT?**

**GIVE US
A CALL.**

(714) 241-7050



HAND CLEANER

PERMATEX

**FAST
ORANGE**



15 OZ. #25116
1 GAL. WITH PUMP #25218
HAND & NAIL BRUSH #73864

**PUSH-LOK FITTINGS
BRONZE**

NO SOLDERING REQUIRED



**PUSH-LOK
COUPLING**

1/2" #CPLCO5
3/4" #CPLCO7
1" #CPLCO10

3/4" x 1/2" #CPLCO75
1" x 3/4" #CPLCO107



**PUSH-LOK
TEE**

1/2" #CPLT5
3/4" #CPLT7
1" #CPLT10

3/4" x 1/2" #CPLT75
1" x 3/4" #CPLT107



**PUSH-LOK
CAP**

1/2" #CPLCA5
3/4" #CPLCA7
1" #CPLCA10

**PUSH-LOK FITTINGS
BRONZE**

NO SOLDERING REQUIRED



**PUSH-LOK
MALE
ADAPTER**

1/2" #CPLM5
3/4" #CPLM7
1" #CPLM10



**PUSH-LOK
FEMALE
ADAPTER**

1/2" #CPLF5
3/4" #CPLF7
1" #CPLF10



**PUSH-LOK
BALL
VALVE**

1/2" #CPLBV5
3/4" #CPLBV7
1" #CPLBV10



**PUSH-LOK
DEMOUNT
CLIP**

1/2" #CPLDC5
3/4" #CPLDC7
1" #CPLDC10

**COPPER 'DWV'
(DRAIN, WASTE & VENT)**

NON-PRESSURE DRAIN FITTINGS

**DWV
COUPLING**



1-1/2" #CDCO15
2" #CDCO20
2" x 1-1/2" #CDCO2015

**DWV
FITTING
REDUCER**



2" x 1-1/2" #CDFR2015

**DWV
WYE**



1-1/2" #CDW15
2" #CDW20
2" x 1-1/2" #CDW2015

**DWV
COMBI**



1-1/2" #CDCOM15
2" #CDCOM20
2" x 1-1/2" #CDCOM2015

**DWV
SANITARY
TEE**



1-1/2" #CDST15
2" #CDST20
2" x 1-1/2" #CDST2015

**DWV
P-TRAP**



1-1/2" #CDPT15
2" #CDPT20

**COPPER 'DWV'
(DRAIN, WASTE & VENT)**

NON-PRESSURE DRAIN FITTINGS

**DWV 90°
REGULAR**



1-1/2" #CD915
2" #CD920

**DWV
STREET 90°
REGULAR**



1-1/2" #CDS915
2" #CDS920

**DWV 90°
LONG
SWEEP**



1-1/2" #CD9L15
2" #CD9L20

DWV 45°



1-1/2" #CD415
2" #CD420

**DWV
STREET 45°**



1-1/2" #CDS415
2" #CDS420

**COPPER 'DWV'
(DRAIN, WASTE & VENT)**

NON-PRESSURE DRAIN FITTINGS

**DWV
1/16 BEND
(22-1/2°)**



1-1/2" #CD1615
2" #CD1620

**DWV MALE
ADAPTER**



1-1/2" #CDM15
2" #CDM20

**DWV
FITTING
x MALE
ADAPTER**



1-1/2" #CDFM15
2" #CDFM20

**DWV
FEMALE
ADAPTER**



1-1/2" #CDF15
2" #CDF20

**DWV
FITTING
x FEMALE
ADAPTER**



1-1/2" #CDFF15
2" #CDFF20

COPPER ACCESSORIES AND TOOLS

MAPP GAS
#MAPP

PROPANE
#PRO



ACETYLENE TORCH KITS



FITS "MC" TANK:
#PLF-5A-DLX-MC

- REGULATOR (MC)
- HANDLE
- 12' HOSE
- #PL-5A AUTO TIP

FITS "B" TANK:
#PLF-5A-DLX-B

- REGULATOR (B)
- HANDLE
- 12' HOSE
- #PL-5A AUTO TIP

SELF LIGHTING

ACETYLENE TIPS



(FOR ABOVE KIT/REGULATOR)

<u>SOFT SOLDERS</u>	<u>SILVER SOLDERS</u>	
1/8" - 1/2"	1/8" - 1/4"	#A-2
1/4" - 1"	1/8" - 1/2"	#A-3
3/4" - 1-1/2"	1/4" - 3/4"	#A-5
1" - 2"	1/2" - 1"	#A-8
1-1/2" - 3"	7/8" - 1-5/8"	#A-11
2" - 3-1/2"	1" - 2"	#A-14

COPPER ACCESSORIES AND TOOLS



TORCH HEAD
#STK-9

(FOR MAPP OR PROPANE)
REPLACEMENT TIP #TUT-ST3
SMALL TIP #TUT-ST1



SELF LIGHTING TORCH
#ST-33

CONVERTS THE #STK-9 INTO A SELF LIGHTING TORCH



MAPP TORCH KIT
#LP-3

- REGULAR
- HANDLE
- 12' HOSE
- #T-4 TIP



MAPP TIPS

(FOR ABOVE KIT/REGULATOR)

<u>SOFT SOLDERS</u>	<u>SILVER SOLDERS</u>	
1/8" - 1/2"	1/8" - 1/4"	#T-2
1/4" - 1-1/2"	1/4" - 1/2"	#T-3
1/4" - 2-1/2"	1/4" - 1-1/4"	#T-4
1" - 4"	1/2" - 2"	#T-5
1-1/2" - 6"	3/4" - 4"	#T-6

COPPER ACCESSORIES AND TOOLS



SELF LIGHTING TORCH
#TX-504

(FOR MAPP OR PROPANE)



PRO-PAK SELF LIGHTING TORCH
#TX-500

INCLUDES EXTRA TIP (SMALL)
(FOR MAPP OR PROPANE)



DOUBLE BARREL TORCH HEAD
#STK-11

(FOR MAPP OR PROPANE)
REPLACEMENT TIP #TUT-ST3



COMPETITIVE TORCH HEAD
(PROPANE ONLY)
#BERN-TH



STRIKER
#PAS4430

(FLINTS ONLY, 5 PACK #4432)

COPPER ACCESSORIES AND TOOLS

SAND CLOTH
10 YARDS



STANDARD #45-025
OPEN MESH #45-013

FLAME CLOTH



12" x 12" #71034

WATER SPRAY BOTTLE
#SPRAYB



IDEAL FOR WETTING DOWN
FLAMMABLE MATERIALS
WHEN SOLDERING.

S-39 LIQUID SOLDERING FLUX



SELF-CLEANING
(NO SANDING REQUIRED)

4 OZ. #S39-4
16 OZ. #S39-16

COPPER ACCESSORIES AND TOOLS



FITTING BRUSH

- 1/8" #FB1
- 1/4" #FB2
- 3/8" #FB3
- 1/2" #FB5
- 3/4" #FB7
- 1" #FB10
- 1-1/4" #FB12
- 1-1/2" #FB15
- 2" #FB20
- 2-1/2" #FB25
- 3" #FB30
- 4" #FB40



COPPER TUBE CLEANING BRUSH

- 1/2" #62501
- 3/4" #62502
- 1" #62510



2-in-1 POWER CLEANING BRUSH

ONE TOOL CLEANS
BOTH FITTINGS AND TUBING

- 1/2" #62821
- 3/4" #62831
- 1" #62841



4-in-1 CLEANING BRUSH

1/2" & 3/4" #70260

COPPER ACCESSORIES AND TOOLS



SOLDER
1# ROLL

LEAD FREE:

- CANFIELD #SBR2
- SILVABRITE #SBR6
- BRIDGIT #SBR5
- 50/50 #SBR3
- 95/5 #SBR4



BRAZING ROD

1# PACK

- 0% SILVER #SBR8
- 5% SILVER #SBR9
- 15% SILVER #SBR10

BRAZING FLUX

7 OZ. #SBR13



SOLDERING PASTE

EVERFLUX:

- 80 ML. #MCO11
- 250 ML. #MCO12

NOKORODE:

- 1.7 OZ. #14000
- 1 LB. #14030



ACID/FLUX BRUSH

AB2

COPPER ACCESSORIES AND TOOLS

ACETYLENE TANKS

"MC" & "B"



"MC" "B" AIR

REFILL/EXCHANGE:

"MC" TANK #ARMC
"B" TANK #ARB

TANK PURCHASE:

"MC" TANK #ATMC
"B" TANK #ATB

COMPRESSED AIR TANKS:

REFILL #CAR
PURCHASE #CATA

COPPER ACCESSORIES AND TOOLS



ELECTRIC SOLDER GUN

NO FLAME!

120 VOLT

SOLDERS

1/2" & 3/4" #PP94P50

(1" DIES AVAILABLE)



COOL GEL

HEAT BARRIER SPRAY

HELPS PROTECT RUBBER, PLASTIC, DISTORTION AND PAINTED SURFACES DURING SOLDERING & BRAZING

#11513

COPPER ACCESSORIES AND TOOLS



POCKET DEBURRING TOOL

#70415

(BLADES ONLY, 5 PACK #70417)



INNER OUTER REAMER

(FOR COPPER TUBING)

1/4" - 1-1/2" #34965

(RIDGID MODEL 127)

SURE SWEAT



DISSOLVABLE PIPE PLUGS

1/2" #SSM-12
3/4" #SSM-34

TUBING BENDERS



SEE PAGE 240



COPPER SWEDGING TOOL

3/8" - 3/4" #4330



LA-CO BLOC-IT

HEAT ABSORBING PASTE. PROTECTS BALL VALVES AGAINST DAMAGE CAUSED BY HEAT FROM SOLDERING AND BRAZING.

10 OZ. TUBE #11511



FLARING TOOL

#4360

3/16", 1/4", 5/16", 3/8", 1/2" & 5/8"



COPPER SIZING TOOL

RE-ROUNDS COPPER TUBING

1/2" #4343
3/4" #4344
1" #4345
1-1/4" #719SL114
1-1/2" #719SL112

COPPER ACCESSORIES AND TOOLS

WATER GATE TOOL



- 1/2" #WGT5
- 3/4" #WGT7
- 1" #WGT10
- 1-1/4" #WGT12
- 1-1/2" #WGT15
- 2" #WGT20
- 2-1/2" #WGT25
- 3" #WGT30
- 4" #WGT40

REPLACEMENT GASKETS IN STOCK.

WATER GATE KITS



WITH CASE

- 1/2", 3/4" & 1" #WGTK10
- 1/2" - 2" #WGTK20

WASSI QUICK SWEAT KIT



- 1/2", 3/4" & 1" #W51500
- 1/2" - 2" #W51506

COPPER ACCESSORIES AND TOOLS

TUBING CUTTERS

FOR COPPER AND ALUMINUM



MIDGET

CUTS

- 1/4" - 1-1/8" #40617 (MODEL 101)

REPLACEMENT CUTTER WHEEL: #33185 (E-3469)

WHEEL PIN & CLIP: #33970



CUTS

- 1/8" - 1-1/8" #31622 (MODEL 150)

REPLACEMENT CUTTER WHEEL: #33185 (E-3469)

CUTTER WHEEL FOR STAINLESS STEEL: #33190 (E-4546)

WHEEL PIN: #22648



RATCHET STYLE TUBING CUTTER

- 1/2" #ATC12
- 3/4" #ATC34
- 1" #ATC100

COPPER ACCESSORIES AND TOOLS

TUBING CUTTERS

FOR COPPER AND ALUMINUM



CUTS

- 1/4" - 1-5/8" #31632 (MODEL 151)
- 1/4" - 2-5/8" #31642 (MODEL 152)
- 1-7/8" - 4-1/2" #31652 (MODEL 154)
- 4" - 6-5/8" #31662 (MODEL 156)

REPLACEMENT CUTTER WHEELS:



MODEL#

- 151 & 152 (E-3469) #33185
- 154 & 156 (E-2558) #33170
- 10, 15 & 20 (F-158) #33160

CUTTER WHEEL FOR STAINLESS STEEL:

MODEL#

- 151 & 152 (E-4546) #33190
- 154 & 156 (E-2191) #33175
- 10, 15 & 20 (E-1240) #33165

CUTTER WHEEL FOR PLASTIC:

MODEL#

- 151 & 152 (E-5272) #33195
- 154 & 156 (E-5299) #33180

WHEEL PIN:

MODEL#

- 151 & 152 #21533
- 154 & 156 #22643